



INSTALLATION MANUAL OF STANDARD SOLAR MODULES

For professional use only

1.0GENERAL INFORMATION	3
1.1INSTALLATION MANUAL DISCLAIMER	3
1.2LIMITATION OF LIABILITY	3
2.0SAFETY PRECAUTIONS	3
3.0MECHANICAL / ELECTRICAL SPECIFICATIONS	4
4.0UNPACKING AND STORAGE	5
5.0MODULE INSTALLATION	6
5.1MODULE WIRING	8
5.2GROUNDING	11
6.0MOUNTING INSTRUCTIONS	12
6.1MOUNTING METHOD: BOLTING	13
7.0MAINTENANCE	15
ANNEX A: ALTERNATIVE MOUNTING METHODS	16
MOUNTING METHOD A: CLAMPING	16
MOUNTING METHOD B: INSERTION SYSTEMS	32
MOUNTING METHOD C: CENTER MOUNTING METHOD WITH THIRD PARTY TRACKER	36
ANNEX B: ALTERNATIVE GROUNDING METHODS	37
ANNEX C: MECHANICAL AND ELECTRICAL RATINGS	39
ANNEX D: MODULE CLEANING GUIDELINES	46
AMENDED EDITIONS AND DATES	47

1.0 GENERAL INFORMATION

This general manual provides important safety information relating to the installation, maintenance and handling of CS-series solar modules.

Professional installer must read these guidelines carefully and strictly follow these instructions. Failure to follow these instructions may result in death, injury or property damage. The installation and handling of PV modules requires professional skills and should only be performed by qualified professionals. The installers must inform end-users (consumers) the aforesaid information accordingly. The word "module" or "PV module" used in this manual refers to one or more CS-series solar modules.

This manual is only valid for the standard module types CS1V-MS, CS1VL-MS, CS1U-MS, CS1H-MS, CS1K-MS, CS3U-P, CS3U-MS, CS3K-P, CS3K-MS, CS6A-P, CS6A-M, CS6V-P, CS6V-M, CS6K-P, CS6K-M, CS6K-MS, CS6V-MS, CS6VL-MS, CS6A-MS, CS6U-P, CS6U-M, CS3W-P, CS3L-P, CS3W-MS, CS3L-MS and CS1HA-MS.

(Notice: For KuLite CS3K-P, a special lightweight option for standard CS3K-P only applies to Japan region. Please refer to the separate Annex E : Mounting Method Clamping for KuLite to get its mounting methods.)

Please retain this manual for future reference. We recommend checking www.atakale.com regularly for the most updated version.

1.1 INSTALLATION MANUAL DISCLAIMER

The information contained in this manual is subject to change by atakale Solar Inc. without prior notice. atakale Solar Inc. gives no warranty of any kind whatsoever, either explicitly or implicitly, with respect to the information contained herein.

In the event of any inconsistency among different language versions of this document, the English version shall prevail. Please refer to our product lists and documents published on our website at: <http://www.atakale.com> as these lists are updated on a regular basis.

1.2 LIMITATION OF LIABILITY

atakale Solar Inc. shall not be held responsible for damages of any kind, including – without limitation – bodily harm, injury or damage to property, in connection with handling PV modules, system installation, or compliance or non-compliance with the instructions set forth in this manual.

2.0 SAFETY PRECAUTIONS



Warning

Before attempting to install, wire, operate and / or service the module and other electrical equipment, all instructions should be read and understood. PV module connectors pass direct current (DC) when exposed to sunlight or other light sources. Contact with electrically active parts of the module, such as terminals, can result in injury or death, irrespective of whether or not the module and the other electrical equipment have been connected.



AVERTISSEMENT:

Toutes les instructions devront être lues et comprises avant de procéder à l'installation, le câblage, l'exploitation et/ou l'entretien des panneaux. Les interconnexions des panneaux conduisent du courant continu (CC) lorsque le panneau est exposé à la lumière du soleil ou à d'autres sources lumineuses. Tout contact avec des éléments sous tension du panneau tels que ses bornes de sortie peut entraîner des blessures ou la mort, que le panneau soit connecté ou non.

GENERAL SAFETY

- All modules must be installed by licensed electricians in accordance to the applicable electrical codes such as, the latest National Electrical Code (USA) or atakale Electric Code (Canada) or other national or international applicable electrical codes.



Protective clothing (non-slip gloves, clothes, etc.) must be worn during installation to prevent direct contact with 30 V DC or greater, and to protect hands

from sharp edges.



Prior to installation, remove all metallic jewelry to prevent accidental exposure to live circuits.



When installing modules in light rain, morning dew, take appropriate measures to prevent water ingress into the connector.



Do not allow children or unauthorized persons near the installation site or storage area of modules.

Do not install modules in strong wind.

- Use electrically insulated tools to reduce the risk of electric shock.
- If the disconnects and Over Current Protection Device (OCPD)'s cannot be opened or the inverter cannot be powered down, cover the fronts of the modules in the PV array with an opaque material to stop the production of electricity when installing or working on a module or wiring.
- Do not use or install damaged modules.
- Contact with module surfaces or frames may cause electric shock if the front glass is broken or the backsheet is torn.
- The PV module does not contain any serviceable parts. Do not attempt to repair any part of the module.
- Keep the junction box cover closed at all times.

- Do not disassemble a module or remove any module part.
- Do not artificially concentrate sunlight on a module.
- Do not connect or disconnect modules when current from the modules or an external source is present.

3.0 MECHANICAL / ELECTRICAL SPECIFICATIONS

Module electrical ratings are measured under Standard Test Conditions (STC) of 1000 W/m² irradiance, with an AM1.5 spectrum, and a cell temperature of 25°C. Detailed electrical and mechanical characteristics of atakale Solar Inc. crystalline silicon PV modules can be found in Annex C (Mechanical and Electrical Ratings) on www.atakale.com.

Main electrical characteristics at STC are also stated on each module label. Please refer to the datasheet or the product nameplate for the maximum system voltage.

Under certain conditions, a module may produce more current or voltage than under its Standard Test Condition's rated power. As a result, the module short-circuit current under STC should be multiplied by 1.25, and a correction factor should be applied to the open-circuit voltage (see Table 1 below), when determining component ratings and capacities. Depending on your local regulations, an additional 1.25 multiplier for the short-circuit current (giving a total multiplier of 1.56) may be applicable when sizing conductors and fuses.

Table 1: Low temperature correction factors for open-circuit voltage

Lowest Expected Ambient Temperature (°C/°F)	Correction Factor
24 to 20 / 76 to 68	1.02
19 to 15 / 67 to 59	1.04
14 to 10 / 58 to 50	1.06
9 to 5 / 49 to 41	1.08
4 to 0 / 40 to 32	1.10
-1 to -5 / 31 to 23	1.12
-6 to -10 / 22 to 14	1.14
-11 to -15 / 13 to 5	1.16
-16 to -20 / 4 to -4	1.18
-21 to -25 / -5 to -13	1.20
-26 to -30 / -14 to -22	1.21
-31 to -35 / -23 to -31	1.23
-36 to -40 / -32 to -40	1.25

Alternatively, a more accurate correction factor for the open-circuit voltage can be calculated using the following formula:

$$C_{VOC} = 1 - \alpha_{VOC} \times (25 - T)$$

T is the lowest expected ambient temperature at the system installation site

α_{VOC} (%/°C) is the voltage temperature coefficient of the selected module (refer to corresponding datasheet)

Electrical calculations and design must be performed by competent engineer or consultant.

4.0 UNPACKING AND STORAGE

NOTICE

PRECAUTIONS

- Modules should be stored in a dry and ventilated environment to avoid direct sunlight and moisture. If modules are stored in an uncontrolled environment, the storage time should be less than 3 months and extra precautions should be taken to prevent connectors from being exposed to moisture or sunlight, like using connector endcaps.
- Unpack module pallets carefully, following the steps shown on the pallet. Unpack, transport and store the modules with care.
- Modules must always be unpacked and installed by two people. Always use both hands when handling modules.



- **Do not** stand, step, walk and / or jump on modules under any circumstances. Localized heavy

loads may cause severe micro-cracks at cell level, which in turn may compromise module reliability and void atakale Solar Inc's warranty.



- **Do not** support the module by the backsheet when handling or installing the module.
- **Do not** carry modules on your head.
- **Do not** drop or place objects (such as tools) on the modules.
- **Do not** lift modules by their wires or junction box, lift them by the frame.
- Stacks of modules should contain no more than 12 modules, and the frames should be aligned.
- **Do not** place excessive loads on the module or twist the module frame.
- **Do not** use sharp instruments on the modules. Particular care should be taken to avoid module backsheets being damaged by sharp objects, as scratches may directly affect product safety.
- **Do not** leave modules unsupported or unsecured.
- **Do not** change the wiring of bypass diodes.
- Keep all connectors clean and dry at all times.
- **Do not** expose the modules and its connectors to any unauthorized chemical substance (e.g. oil, lubricant, pesticide, etc.).

PRODUCT IDENTIFICATION

- Each module has three identical barcodes (one in the laminate under the front glass, the second on the rear side of the module and the third on the frame) that act as a unique identifier. Each module has a unique serial number containing 13 (pre

March 2013) or 14 (post March 2013) digits.

- A nameplate is also affixed to the rear of each module. This nameplate specifies the model type, as well as the main electrical and safety characteristics of the module.

5.0 MODULE INSTALLATION



PRECAUTIONARY MEASURES AND GENERAL SAFETY

- Prior to installing modules please obtain information about any requirements and necessary approvals for the site, installation and inspection from the relevant authorities.
- Check applicable building codes to ensure that the construction or structure (roof, facade, support, etc.) can bear the module system load.
- CS-series solar modules have been qualified for Application Class A (equivalent to Safety Class II requirements). Modules rated under this class should be used in systems operating at voltage above 50 V or power above 240 W, where general contact access is anticipated.
- atakale Solar Inc. modules have been certified as Type 1 or Type 4 according to UL 1703 and Class C according to IEC 61730-2, please refer to the datasheet or the product nameplate for the detailed types.
- Consult your local authority for guidelines and requirements for building or structural fire safety.

UL 1703 SYSTEM FIRE RATING REQUIREMENTS

- A photovoltaic systems composed of UL 1703 certified modules mounted on a UL 2703 certified mounting system should be evaluated in combination with roof coverings in accordance with UL 1703 standard, with respect to meeting the same fire classification as the roof assembly.
- Mounting systems with a System Fire Class Rating (Class A, B or C), tested in conjunction with fire rated "Type 1" or "Type 4" rated modules, are considered acceptable for use with atakale Solar Inc. modules, provides the mounting system does

not violate any other requirements of this manual.

- Any mounting system limitations on inclination or accessories required to maintain a specific System Fire Class Rating should be clearly specified in the installation instructions and UL 2703 certification of the mounting system supplier.
- When installing modules, ensure the supporting roof has a fire resistant roof covering rated for the application.
- The fire rating for this module is only valid when the product is installed as specified in the mechanical mounting instructions.

ENVIRONMENTAL CONDITIONS

- The module is intended for use in general open-air climates, as defined in IEC 60721-2-1: Classification of environmental conditions Part-2-1: Environmental conditions appearing in nature - Temperature and humidity.
- Please consult the atakale Solar Inc. technical support department for more information on the use of modules in special climates, , such as an altitude greater than 2000 m.



Do not install modules near open flames or flammable materials.



Do not immerse modules in water or constantly expose modules to water (either fresh or salt) (i.e. from fountains, sea spray).

- Exposing modules to salt (i.e. marine environments) or sulfur (i.e. sulfur sources, volcanoes) incurs the risk of module corrosion.
- **Do not** expose modules and their connectors to any unauthorized chemical substances (e.g. oil, lubricant, pesticide, etc.), as modules may incur damages.
- Failure to comply with these instructions will void atakale Solar Inc. limited warranty.

INSTALLATION REQUIREMENTS

- Ensure that the module meets the general technical system requirements.

- Ensure that other system components do not damage the module mechanically or electrically.
 - Modules can be wired in series to increase voltage or in parallel to increase current. To connect modules in series, connect the cables from the positive terminal of one module to the negative terminal of the next module. To connect in parallel, connect the cables from the positive terminal of one module to the positive terminal on the next module.
 - The quantity of bypass diodes in the module's junction box may vary depending on the model series.
 - Only connect the quantity of modules that corresponds to the voltage specifications of the inverters used in the system. In addition modules should not be connected together to create a voltage higher than the maximum permitted system voltage stated on the module nameplate, even under the worst local temperature conditions (see Table 1 for the correction coefficients that apply to open-circuit voltage).
 - A maximum of two strings can be connected in parallel without the need to incorporate an over-current protection device (fuses, etc.) in series within each string. Three or more strings can be connected in parallel if an appropriate, certified over-current protection device is installed in series within each string. And it shall be ensured in the PV system design that the reverse current of any particular string is lower than the module maximum fuse rating at any circumstance.
 - For high power density modules such as CS1 series intended to be used on rooftop applications, in agreement with IEC 62548: 2016 Photovoltaic (PV) arrays design requirements, blocking diodes should be used in each PV array module string as exclusive mean of protection against reverse currents where three or more strings are connected in parallel. Where permitted by your local electrical code, blocking diodes can also be used for overcurrent protection, in place of fuses or other OCPD devices.
 - Only modules with similar electrical outputs should be connected in the same string to avoid or minimize mismatch effects in arrays.
 - To minimize risk in the event of an indirect lightning strike, avoid forming loops with the wiring when designing the system.
 - The recommended maximum series fuse rating is stated in a table in the Annex C.
 - Modules should be safely fixed to bear all expected loads, including wind and snow loads.
 - A minimum clearance of 6.5 mm (0.25 in) between modules is required to allow for thermal expansion of the frames.
 - The small drainage holes on the underside of the module must not be blocked.
- #### OPTIMUM ORIENTATION AND TILT
- To maximize your annual yield, find out the optimum orientation and tilt for PV modules in your region. The highest yields are achieved when sunlight shines perpendicularly onto the PV modules.
- #### AVOID SHADING
- Even minor partial shading (e.g. from dirt deposits) reduces yields. A module can be considered to be unshaded if its entire surface is free from shading all year round. Sunlight should be able to reach the module even on the shortest day of the year.
 - Constant shading conditions can affect module service lifetime, due to accelerated ageing of the encapsulation material and thermal stress on the bypass diodes.
- #### RELIABLE VENTILATION
- Sufficient clearance (at least 10 cm (3.94 in)) between the module frame and the mounting surface is required to allow cooling air to circulate around the back of the module. This also enables condensation or moisture to dissipate.
 - According to UL 1703, any other specific clearance required for maintaining a system fire rating should prevail. Detailed clearance requirements pertaining to system fire ratings must be provided

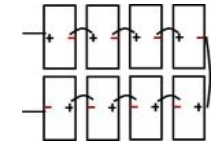
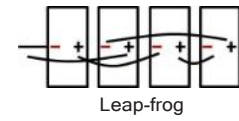
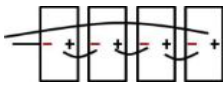
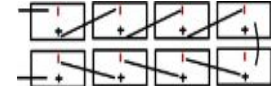
by your racking supplier.

5.1 MODULE WIRING

CORRECT WIRING SCHEME

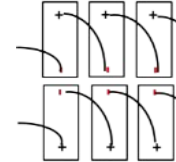
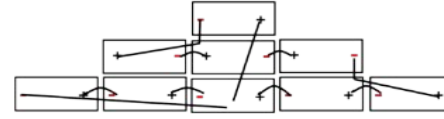
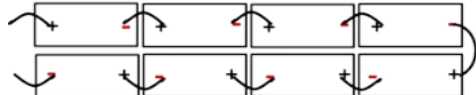
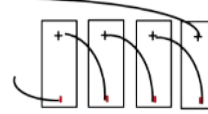
- Cable management scheme should be reviewed and approved by the EPC contractor, in particular required cable lengths should be cross-checked considering the specificities of the tracker structure like bearing house gaps. If longer cable or additional jumper cable is requested, please contact atakale Solar's sales representative in advance.
- Do not connect different connectors (brand and model) together.
- Ensure that the wiring is correct before starting up the system. If the measured open circuit voltage (Voc) and short-circuit current (Isc) differ substantially from the specifications, this indicates that there is a wiring fault.
- When modules have been pre-installed but the system has not been connected to the grid yet, each module string should be kept under open-circuit conditions and proper actions should be taken to avoid dust and moisture penetration inside the connectors.
- For CS3U, CS3K, CS3W and CS3L series modules, Canadian Solar Inc. offers optional cable specifications to match various system configurations. Recommended system cable schemes are shown in Table 2 below:

Table 2: System Cable Scheme for CS3U, CS3K, CS3W and CS3L modules

Module types	Standard cables	Optional cables
CS3U-P, CS3U-MS, CS3K-P, CS3K-MS, CS3W-P, CS3L-P, CS3W-MS, CS3L-MS		 <p style="text-align: center;">Leap-frog</p>
		

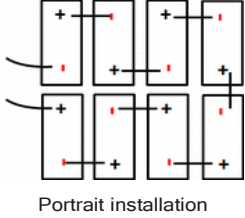
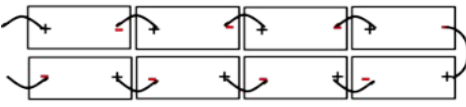
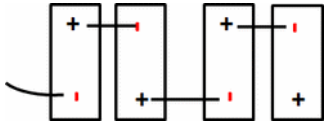
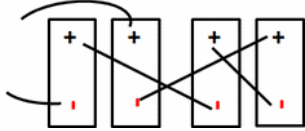
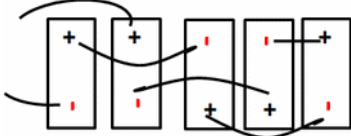
· For CS1V, CS1VL, CS1H, CS1HA and CS1K module series, recommended system cable schemes are shown in Table 3:

Table 3: System Cable Scheme for CS1V, CS1VL, CS1A, CS1H, CS1HA and CS1K modules

Module types	Standard cables
CS1V-MS, CS1VL-MS, CS1A-MS, CS1H-MS, CS1K-MS, CS1HA-MS	 <p style="text-align: center;">Rooftop portrait two rows installation</p>
	 <p style="text-align: center;">Trapezoidal rooftop landscape installation</p>
	 <p style="text-align: center;">Rectangle rooftop landscape installation</p>
	 <p style="text-align: center;">Rooftop portrait one row installation</p>

- For CS1U module series, recommended system cable schemes are shown in Table 4:

Table 4: System Cable Scheme for CS1U modules

Module types	Standard cables
CS1U-MS	 <p>Portrait installation Note: Adjacent two modules (left to right) need to be rotated 180 degrees</p>
	 <p>Landscape installation Note: Adjacent two modules (up and down) need to be rotated 180 degrees</p>
	 <p>Tracker one by one</p>
	 <p>Tracker for leapfrog</p>
	 <p>Tracker for leapfrog</p>

The maximum distance between two adjacent module frames should be within 50 mm (1.96 in) for the side with mounting clamps, and within 25 mm (0.98 in) for the side without mounting clamps, in order to meet the system cable scheme.

CORRECT CONNECTION OF PLUG CONNECTORS

- Make sure that all connections are safe and properly mated. The PV connector should not be subjected to stress from the exterior. Connectors should only be used to connect the circuit. They should never be used to turn the circuit on and off.
- Connectors are not waterproof when unmated. When installing modules, connector should be connected to each other as soon as possible or appropriate measures should be taken to avoid moisture and dust penetrating into the connector.
- Do not clean or precondition the connectors using lubricants or any unauthorized chemical substance.

USE OF SUITABLE MATERIALS

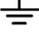
- Only use dedicated solar cable and suitable connectors (wiring should be sheathed in a sunlight-resistant conduit or, if exposed, should be sunlight-resistant itself) that meet local fire, building and electrical regulations. Please ensure that all wiring is in perfect electrical and mechanical condition.
- Installers may only use single-conductor cable listed and labeled as USE-2 or PV wire which is 90°C wet rated in North America, and single conductor cable, 2.5-16 mm² (5-14 AWG), 90°C wet rated in other areas (i.e. TUV 2PFG1169 or EN50618 approved), with proper insulation which is able to withstand the maximum possible system open-circuit voltage.
- Only copper conductor material should be used. Select a suitable conductor gauge to minimize voltage drop and ensure that the conductor ampacity complies with local regulations (i.e. NEC 690.8(D)).

CABLE AND CONNECTOR PROTECTION

- Secure the cables to the mounting system using UV-resistant cable ties. Protect exposed cables from damage by taking appropriate precautions (e.g. placing them inside a metallic raceway like EMT conduit). Avoid exposure to direct sunlight.

- A minimum bending radius of 60 mm (2.36 in) is required when securing the junction box cables to the racking system.
- Do not place connectors in locations where water could easily accumulate.

5.2 GROUNDING

- For grounding requirements in North America, a module with exposed conductive parts is considered to comply with UL 1703 only when it is electrically grounded in accordance with both the instructions presented below and the requirements of the National Electrical Code. Any grounding means used with atakale Solar Inc. modules should be NRTL certified to UL 467 and UL 2703 standards. Please consult our technical service team for the formal approval process.
- For grounding requirements in other areas, although the modules are certified to Safety Class II, we recommend them to be grounded and that module installation should comply with all applicable local electrical codes and regulations.
- Grounding connections should be installed by a qualified electrician.
- Connect module frames together using adequate grounding cables: we recommend using 4-14 mm² (AWG 6-12) copper wire. Holes provided for this purpose are identified with a grounding symbol  (IEC 61730-1). All conductive connection junctions must be firmly fixed.
- Do not drill any extra ground holes for convenience - this will void the modules warranty.
- All bolts, nuts, flat washers, lock washers and other relevant hardware should be made of stainless steel, unless otherwise specified.
- atakale Solar Inc. does not provide grounding hardware.
- One grounding method is recommended for Canadian Solar Inc. standard modules, as described below. For alternative grounding methods, please refer to Annex B (Alternative Grounding Methods)

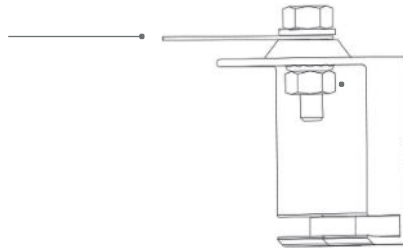
of this installation manual. It may not be possible to use standard grounding methods for certain

module ranges. Please refer to Annex B for more details.

GROUNDING METHOD:

BOLT + TOOTHED NUT + CUP WASHER.

1. To fix the wire between the flat washer and cup washer, place the cup washer (concave side up) between the frame and the wire



2. Then tighten the bolt using the toothed nut.

- A grounding kit containing an M5 (3/16") SS cap bolt, an M5 (3/16") SS flat washer, an M5 (3/16") SS cup washer, and an M5 (3/16") SS nut (with teeth) is used to attach copper grounding wire to a pre-drilled grounding hole on the frame (see image below).
- Place the wire between the flat washer and the cup washer. Ensure that the cup washer is positioned between the frame and the wire with the concave side up to prevent galvanic corrosion. Tighten the bolt securely using the SS toothed nut. A wrench may be used to do this. The tightening torque is 3-7 Nm (2.2-5.2 ft-lbs).

1703 unless the module is mounted with hardware that has been tested and evaluated with the module under this standard or by a field inspection certifying that the installed module complies with the requirements of UL 1703.

- atakale Solar Inc. does not provide mounting hardware.
- Standard modules can be mounted onto a support structure using one of several approved methods. One of such methods is described below. For details of other mounting methods and the methods recommended by atakale Solar Inc. for special module ranges, please refer to the Annex A (Alternative Mounting Methods) of this installation manual.
- For information about other installation methods, please contact your local representative. Failure to use a recognized installation method will void the atakale Solar Inc. warranty.

6.0 MOUNTING INSTRUCTIONS



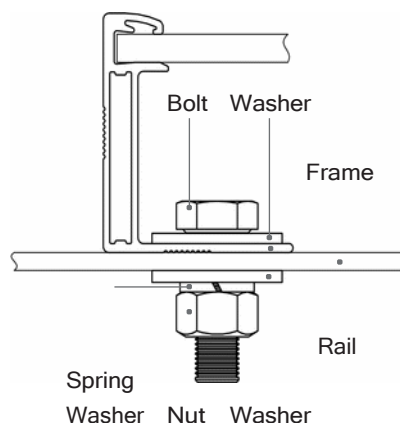
The applicable regulations pertaining to work safety, accident prevention and securing the construction site must be observed. Workers and third party personnel shall wear or install fall arrest equipment. Any third party need to be protected against injuries and damages.

- The mounting design must be certified by a registered professional engineer. The mounting design and procedures must comply with all applicable local codes and requirements from all relevant authorities.
- The module is considered to be in compliance with UL 1703 and IEC 61215 only when the module is mounted in the manner specified by the mounting instructions included in this installation manual.
- Any module without a frame (laminated) shall not be considered to comply with the requirements of UL
- Use appropriate corrosion-proof fastening materials. All mounting hardware (bolts, spring washers, flat washers, nuts) should be hot dip galvanized or stainless steel.
- Use a torque wrench for installation.
- Do not drill additional holes or modify the module frame. Doing so will void the warranty.
- Standard modules can be installed in either landscape or portrait orientations. Refer to the detailed instructions for further guidance. Please note that in areas with heavy snowfall (> 2400 Pa) further countermeasures such the use of additional support bars should be considered to avoid snow loads damaging the lowest row of modules.

- In cases where an additional support bar is recommended to improve both mechanical stability and long-term module performance, we recommend selecting a sufficiently resistant material. atakale Solar Inc. recommends bars with a minimum thickness of 50 mm (1.97 in). The support bar centerline should be positioned within 100 mm (3.94 in) of the side frame centerline (slight shifts may be necessary to access module grounding holes).
- The loads described in this manual correspond to test loads. For installations complying with IEC 61215-2: 2016 and UL 1703, a safety factor of 1.5 should be applied for calculating the equivalent maximum authorized design loads. Project design loads depend on construction, applicable standards, location and local climate. Determination of the design loads is the responsibility of the racking suppliers and / or professional engineers. For detailed information, please follow local structural code or contact your professional structural engineer.

correctly calculating the loads and ensuring that the supporting structure meets all the applicable requirements.

Mounting method: Bolting



- Modules should be bolted at the following hole locations depending on the configuration and loads:

6.1 MOUNTING METHOD: BOLTING

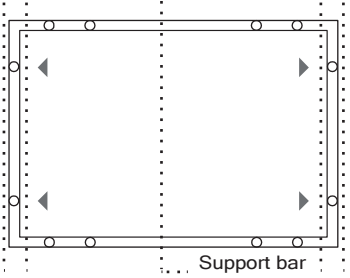
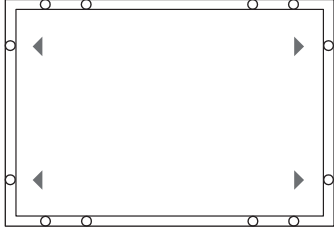
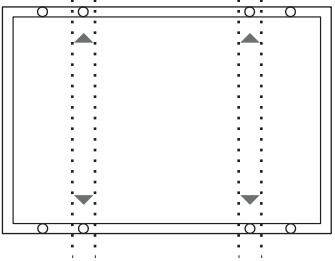
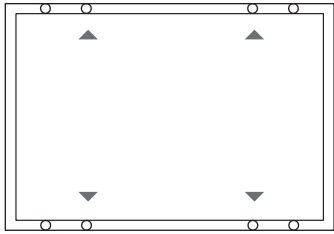
- This mounting method has been qualified by atakale Solar Inc. as well as certified by VDE. and CSA.
- Modules should be bolted to supporting structures through the mounting holes in the rear frame flanges only.
- Each module must be securely fastened at a minimum of 4 points on two opposite sides.

M8 X 1.25 - Grade 8.8 (5/16"-18 Grade B7) galvanized or A2-70 stainless steel bolt and nut should be used.

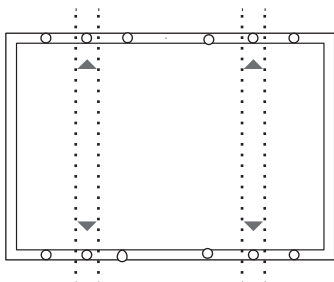
The yield strength of bolt and nut should not be less than 450 MPa.

- Tightening torques should be 17~23 Nm (12.5~17.0 ft-lbs) respectively for M8 (5/16"-18) coarse thread bolts, depending on bolt class.
- In areas with heavy wind loads, additional mounting points should be used. The system designer and the installer are responsible for

Table 5: Approved bolting methods

<p>Bolting on the short frame side using four standard mounting holes. Mounting rails run perpendicularly to the long frame side. An additional support bar should be placed below the module as shown below.</p>  <p>Maximum Load: Uplift load ≤ 2400 Pa Downforce load ≤ 5400 Pa</p> <p>Compatible module types: CS6A-P, CS6A-M and CS6A-MS</p>	<p>Bolting on the short frame side using four standard mounting holes. Mounting rails run parallel to the long frame side.</p>  <p>Maximum Load: Uplift load ≤ 2400 Pa Downforce load ≤ 2400 Pa</p> <p>Compatible module types: CS6A-P, CS6A-M and CS6A-MS</p>
<p>Bolting on the long frame side using four innermost mounting holes. Mounting rails run perpendicularly to the long frame side.</p>  <p>Maximum Load: Uplift load ≤ 2400 Pa Downforce load ≤ 5400 Pa</p> <p>Compatible module types: CS1V-MS, CS1VL-MS, CS3K-P, CS3K-MS, CS6A-P, CS6A-M, CS6V-P, CS6V-M, CS6K-P, CS6K-M, CS6K-MS, CS6V-MS, CS6VL-MS, CS6A-MS and CS1HA-MS</p> <p>(Please refer to the separate manual for the KuLite CS3K-P which is a lightweight option for standard CS3K-P only for Japan region)</p>	<p>Bolting on the long frame side using four innermost mounting holes. Mounting rails run parallel to the long frame side.</p>  <p>Maximum Load: Uplift load ≤ 2400 Pa Downforce load ≤ 4000 Pa</p> <p>Compatible module types: CS1V-MS, CS1VL-MS, CS3K-P, CS3K-MS, CS6A-P, CS6A-M, CS6A-MS, CS6V-P, CS6V-M, CS6V-MS, CS6K-P, CS6K-M, CS6K-MS and CS1HA-MS</p> <p>(Please refer to the separate manual for the KuLite CS3K-P which is a lightweight option for standard CS3K-P only for Japan region)</p>

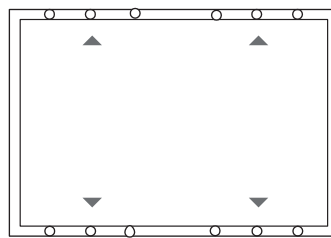
Bolting on the long frame side using four middle mounting holes. Mounting rails run perpendicularly to the long frame side.



Maximum Load:
Uplift load ≤ 2400 Pa
Downforce load ≤ 5400 Pa

Compatible module types: CS3U-P, CS3U-MS, CS6U-P, CS6U-M, CS3W-P and CS3W-MS

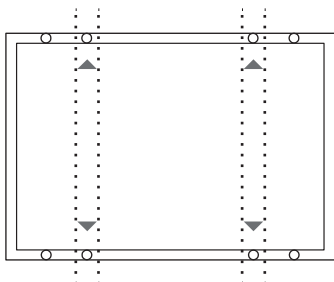
Bolting on the long frame side using four middle mounting holes. Mounting rails run parallel to the long frame side.



Maximum Load:
Uplift load ≤ 2400 Pa
Downforce load ≤ 5400 Pa

Compatible module types: CS3U-P, CS3U-MS, CS6U-P and CS6U-M

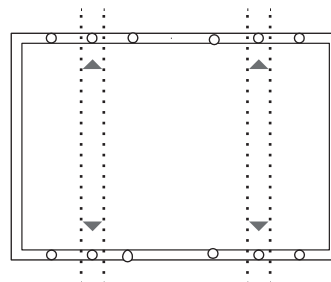
Bolting on the long frame side using four innermost mounting holes. Mounting rails run perpendicularly to the long frame side.



Maximum Load:
Uplift load ≤ 2400 Pa
Downforce load ≤ 5400 Pa

Compatible module types: CS3L-P, CS3L-MS, CS1H-MS and CS1K-MS

Bolting on the long frame side using four middle mounting holes. Mounting rails run perpendicularly to the long frame side.



Maximum Load:
Uplift load ≤ 2400 Pa
Downforce load ≤ 5400 Pa

Compatible module types: CS1U-MS

7.0 MAINTENANCE

- Do not make modifications to any components of the PV module (diode, junction box, plug connectors or others).
- Regular maintenance is required to keep modules clear of snow, bird droppings, seeds, pollen, leaves, branches, dirt spots, and dust.
- Modules with sufficient tilt (at least 15°), generally may not require cleaning (rain will have a self-cleaning effect). If the module has become soiled, wash with water and a non-abrasive cleaning

implement (sponge) during the cool part of the day. Do not scrape or rub dry dirt away, as this may cause micro scratches.

- Snow should be removed using a soft brush.
- Periodically inspect the system to check the integrity of all wiring and supports.
- To protect against electric shock or injury, electrical or mechanical inspections and maintenance should be performed by qualified personnel only.
- Please refer to Annex D (Module Cleaning Guide) for additional information on this topic.

ANNEX A: ALTERNATIVE MOUNTING METHODS

All the basic requirements of the main installation manual should apply to the alternative mounting methods, unless otherwise specified.

The loads described in this manual corresponds to test loads. For installations complying with IEC 61215-2: 2016 and UL 1703, a safety factor of 1.5 should be applied for calculating the equivalent maximum authorized design loads.

Project design loads depend on construction, applicable standards, location and local climate. Determination of the design loads is the responsibility of the racking suppliers or professional engineers. For detailed information, please follow local structural code or contact your professional structural engineer.

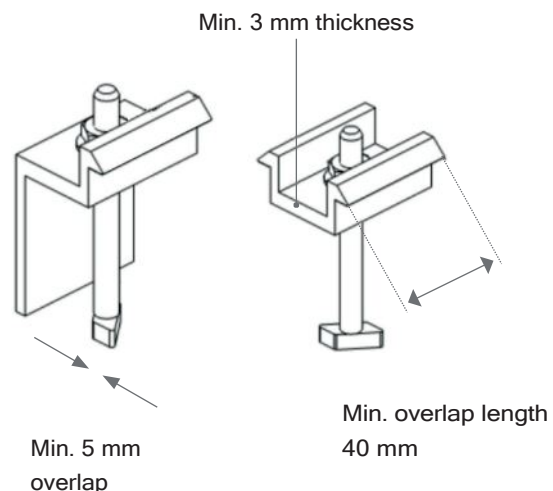
MOUNTING METHOD A CLAMPING

- The mounting method has been qualified by Canadian Solar Inc. as well as certified by VDE and CSA.
- Top or bottom clamping methods will vary and are dependent on the mounting structures. Please follow the mounting guidelines recommended by the mounting system supplier.
- Each module must be securely fastened at a minimum of four points on two opposite sides. The clamps should be positioned symmetrically. The clamps should be positioned according to the authorized position ranges defined in table A.
- Install and tighten the module clamps to the mounting rails using the torque stated by the mounting hardware manufacturer. M8 X 1.25 (5/16") bolt and nut are used for this clamping method.
- Tightening torques should be within 17~23 Nm (12.5~17.0 ft-lbs) for M8 (5/16") coarse thread bolts, depending on the bolt class. For the bolt grade, the technical guideline from the fastener suppliers should be followed. Different recommendations from specific clamping hardware suppliers should prevail.
- The system designer and installer are responsible for load calculations and for proper design of sup-

port structure.

- atakale Solar Inc.'s warranty may be void in cases where improper clamps or unsuitable installation methods are found. When installing inter-modules or end-type clamps, please take the following measures into account:

- ① Do not bend the module frame.
- ② Do not touch or cast shadows on the front glass.
- ③ Do not damage the surface of the frame (to the exception of the clamps with bonding pins).
- ④ Ensure the clamps overlap the module frame by at least 5 mm (0.2 in)
- ⑤ Overlap in length by at least
 - a) 80 mm (3.15 in) when $2400 \text{ Pa} < \text{uplift load} \leq 4000 \text{ Pa}$ is required.
 - b) 40 mm (1.57 in) when uplift load $\leq 2400 \text{ Pa}$ is required.
- ⑥ Ensure the clamp's thickness is at least 3 mm (0.12 in).



- Clamp material should be anodized aluminum alloy or stainless steel.
- Clamp positions are of crucial importance for the reliability of the installation. The clamp centerlines must only be positioned within the ranges indicated in table A, depending on the configuration and load.
- For configurations where the mounting rails run parallel to the frame, precautions should be taken to ensure the bottom flange of the module frame overlaps the rail by 15 mm (0.59 in) or more.

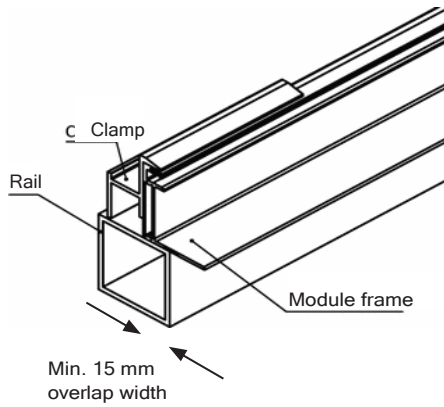
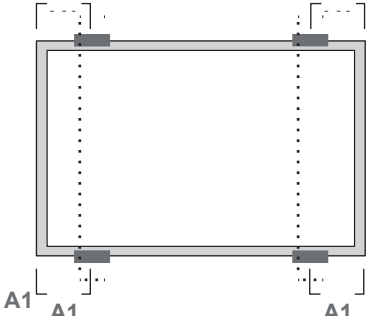
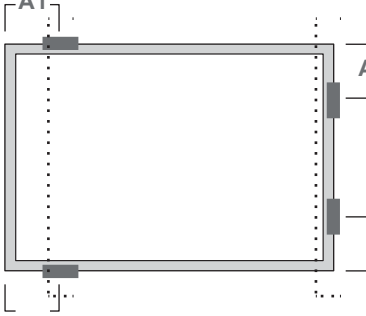
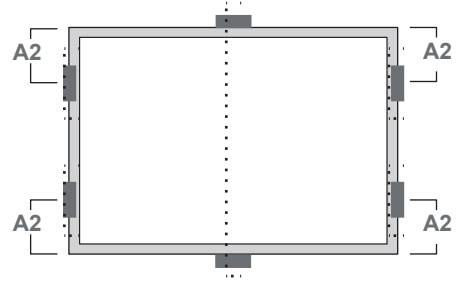
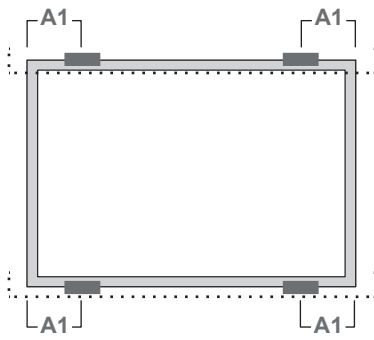


Table A
CS3U-P, CS3U-MS, CS6U-P and CS6U-M

 <p>Use two clamps on the long side and two clamps on the short side. Mounting rails run perpendicular to the long side frame.</p>	
<p>A1 range = (340 - 550) mm Maximum Load: Uplift load \leq 2400 Pa Downforce load \leq 2400 Pa</p>	<p>A1 range = (300 - 550) mm A2 range = (200 - 250) mm Maximum Load: Uplift load \leq 2400 Pa Downforce load \leq 2400 Pa</p>
<p>A1 range = (410 - 490) mm Maximum Load: Uplift load \leq 3600 Pa Downforce load \leq 5400 Pa</p>	



Use four clamps on the long side. Mounting rails run parallel to the long side frame.
 Use four clamps on the short side and two clamps on the long side. An additional sup

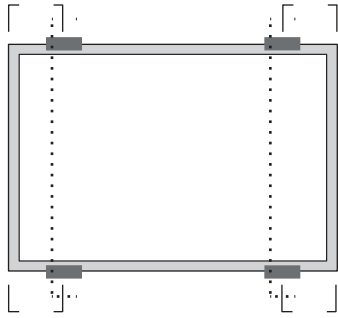
A1 range = (410 - 490) mm Maximum Load:
 Uplift load \leq 2400 Pa
 Downforce load \leq 5400 Pa

A2 range = (200 - 250) mm Maximum Load:
 Uplift load \leq 2400 Pa
 Downforce load \leq 5400 Pa

Use four clamps on the short side.
 Mounting rails run perpendicular to the long side frame.

A range = (200 - 250 mm) Maximum Load: Uplift load \leq 1400 Pa Downforce load \leq 1400 Pa
A range = (0 - 200 mm) Maximum Load: Uplift load \leq 1200 Pa Downforce load \leq 1200 Pa

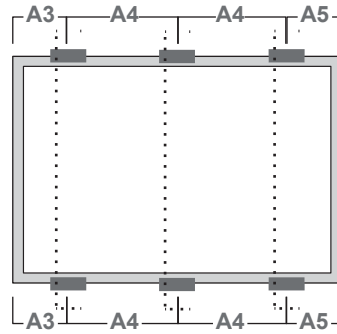
CS1U-MS



Use four clamps on the long side. Mounting rails run perpendicularly to the long side frame.

A1 range = (340 - 550) mm
 Maximum Load:
 Uplift load \leq 2400 Pa
 Downforce load \leq 2400 Pa

A1 range = (410 - 490) mm
 Maximum Load:
 Uplift load \leq 2400 Pa
 Downforce load \leq 5400 Pa

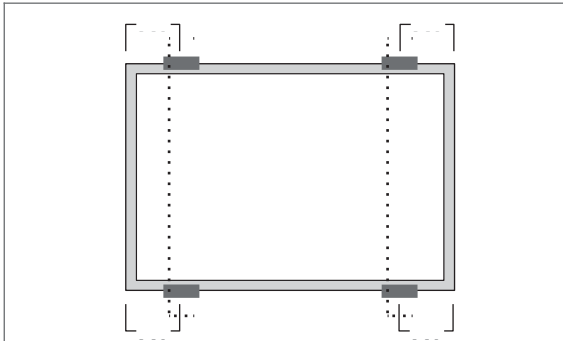


Use six clamps on the long side.
 Mounting rails run perpendicularly to the long side frame.

A3 range = (250- 350) mm
 A5 range = (250- 350) mm Maximum Load:
 Uplift load \leq 2400 Pa
 Downforce load \leq 5400 Pa
 Notice: This method is recommended for better reliability.

CS3K-P, CS3K-MS, CS6K-P, CS6K-M and CS6K-MS

(Please refer to the separate manual for the KuLite CS3K-P which is a lightweight option for standard CS3K-P only for Japan region)

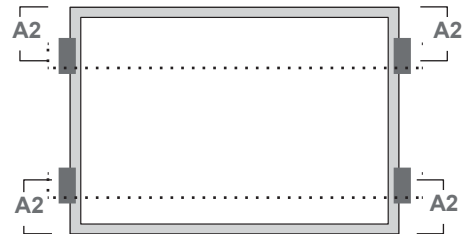


Use four clamps on the long side. Mounting rails run perpendicularly to the long side frame.

A1 range = (0 - 239) mm
 Maximum Load:
 Uplift load \leq 2000 Pa
 Downforce load \leq 2000 Pa

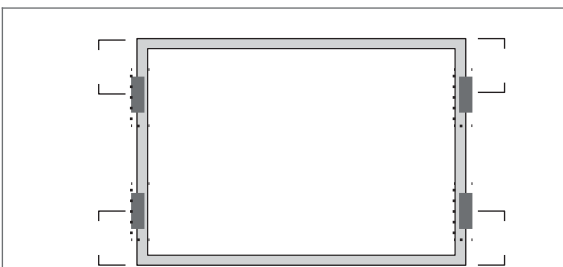
A1 range = (240 - 330) mm
 Maximum Load:
 Uplift load \leq 3600 Pa
 Downforce load \leq 5400 Pa

A1 range = (331 - 550) mm
 Maximum Load:
 Uplift load \leq 2400 Pa
 Downforce load \leq 2400 Pa



Use four clamps on the short side. Mounting rails run parallel to the long side frame.

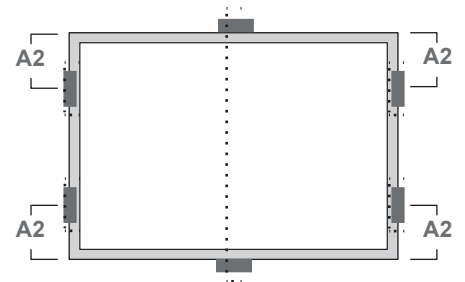
A2 range = (200 - 250) mm Maximum Load:
 Uplift load \leq 2000 Pa
 Downforce load \leq 2000 Pa



Use four clamps on the short side.

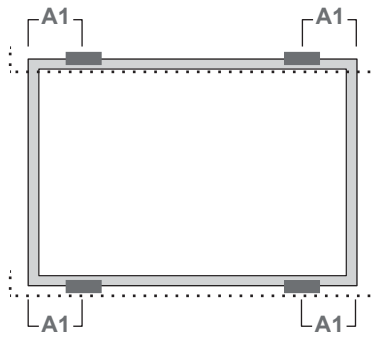
A2 range = (200 - 250) mm
 Maximum Load:
 Uplift load \leq 2200 Pa
 Downforce load \leq 2200 Pa

A2 range = (0 - 200) mm
 Maximum Load:
 Uplift load \leq 2000 Pa
 Downforce load \leq 2000 Pa



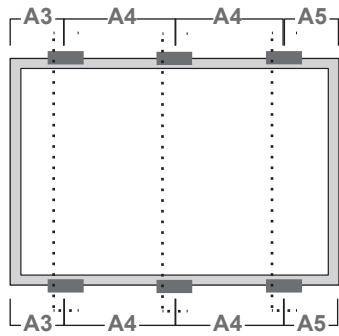
Use four clamps on the short side and two clamps on the long side. An additional support

A2 range = (200 - 250) mm Maximum Load:
 Uplift load \leq 2400 Pa
 Downforce load \leq 5400 Pa



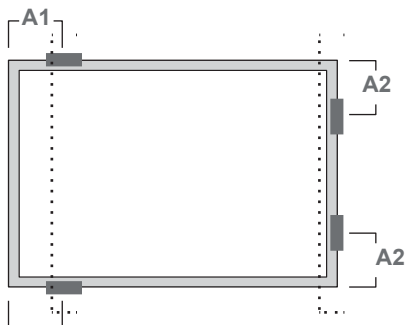
Use four clamps on the long side. Mounting rails run parallel to the long side frame.

A1 range = (240 - 330) mm Maximum Load:
 Uplift load \leq 2400 Pa
 Downforce load \leq 4000 Pa



Use six clamps on the long side.
 Mounting rails run perpendicularly to the long side frame.

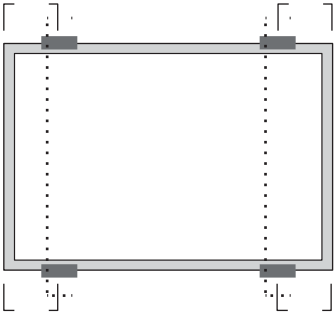
A3 range = (80 - 380) mm,
 A5 range = (80 - 380) mm Maximum Load:
 Uplift load \leq 4000 Pa
 Downforce load \leq 6000 Pa



A1
 Use two clamps on the long side and two clamps on the short side.
 Mounting rails run perpendicular to the long side frame.

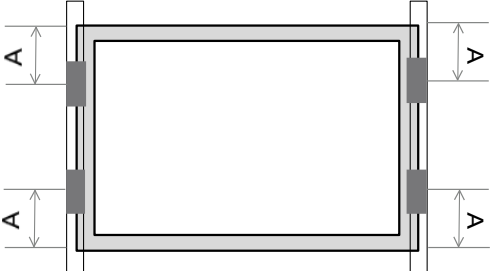
A1 range = (100 - 550) mm A2 range = (200 - 250) mm Maximum Load:
 Uplift load \leq 2400 Pa
 Downforce load \leq 2400 Pa

CS3W-P, CS3W-MS



Use four clamps on the long side. Mounting rails run perpendicularly to the long side frame.

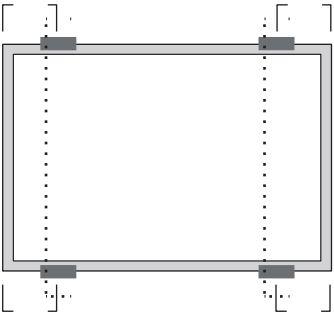
<p>A1 range = (340 - 550) mm Maximum Load: Uplift load \leq 2400 Pa Downforce load \leq 2400 Pa</p>
<p>A1 range = (410 - 490) mm Maximum Load: Uplift load \leq 3600 Pa Downforce load \leq 5400 Pa</p>



Use four clamps on the short side. Mounting rails run perpendicular to the long side frame.

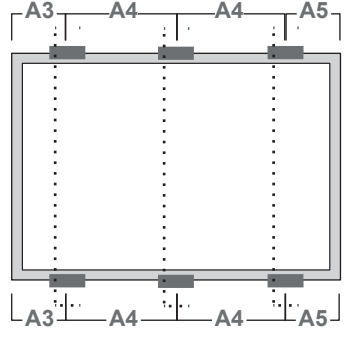
<p>A range = (200 - 250 mm) Maximum Load: Uplift load \leq 1200 Pa Downforce load \leq 1200 Pa</p>
<p>A range = (0 - 200) mm Maximum Load: Uplift load \leq 1000 Pa Downforce load \leq 1000 Pa</p>

CS3L-P, CS3L-MS



Use four clamps on the long side. Mounting rails run perpendicularly to the long side frame.

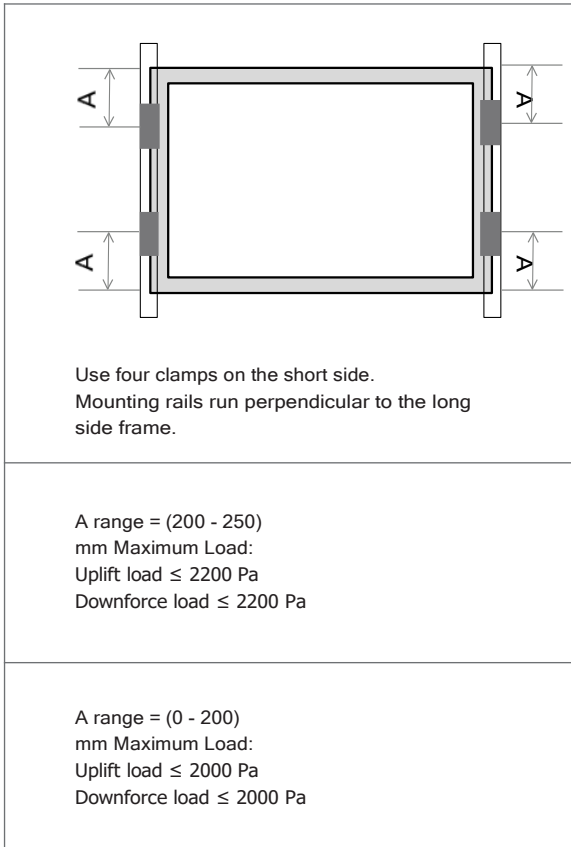
<p>A1 range = (240 - 330) mm Maximum Load: Uplift load \leq 3600 Pa Downforce load \leq 5400 Pa</p>
<p>A1 range = (331 - 550) mm Maximum Load: Uplift load \leq 2400 Pa Downforce load \leq 2400 Pa</p>



Use six clamps on the long side. Mounting rails run perpendicularly to the long side frame.

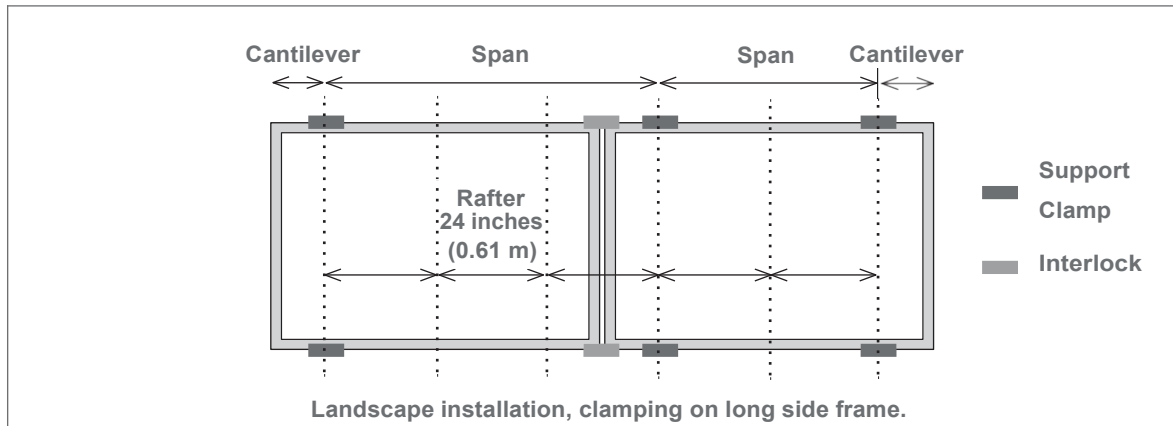
A3 range = (140 - 440) mm, A5 range = (140 - 440) mm
 Maximum Load:
 Uplift load \leq 3600 Pa
 Downforce load \leq 5400 Pa

Notice: this method is recommended for better reliability.



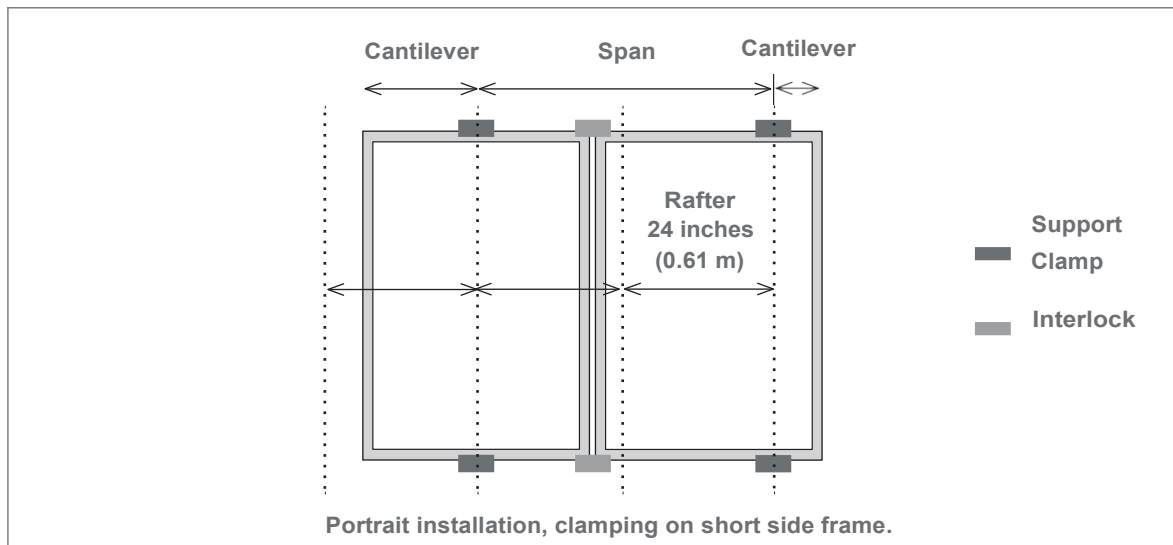
**Rail-less clamping for CS3K-P, CS3K-MS, CS6K-P,
CS6K-M, CS6K-MS, CS1K-MS, CS1H-MS**

(Please refer to the separate manual for the KuLite
CS3K-P which is a lightweight option for standard CS3K-P
only for Japan region)



Landscape installation, clamping on long side frame.

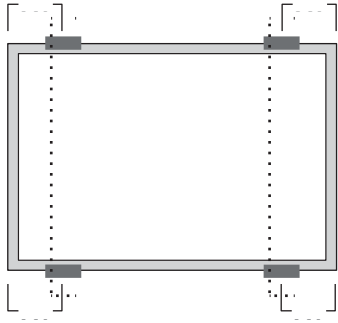
Mounting Orientation	Max Span	Max Cantilever length	Downforce	Uplift
Landscape	72 inches (1.83 m)	24 inches (0.61 m)	2200 Pa	1400 Pa
	64 inches (1.63 m)	21.3 inches (0.54 m)	2400 Pa	1400 Pa
	48 inches (1.22 m)	16 inches (0.41 m)	3400 Pa	1800 Pa
	32 inches (0.81 m)	10.7 inches (0.27 m)	4800 Pa	2400 Pa

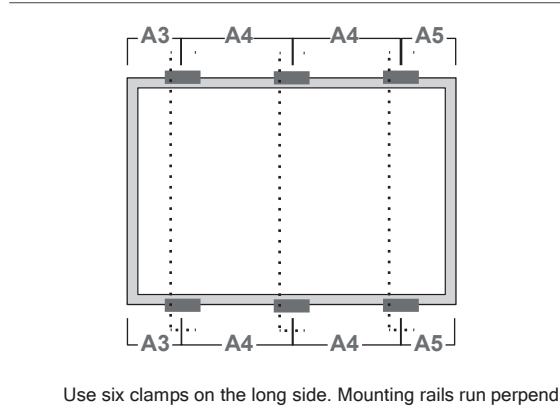


Portrait installation, clamping on short side frame.

Mounting Orientation	Max Span	Max Cantilever length	Downforce	Uplift
Portrait	48 inches (1.22 m)	16 inches (0.41 m)	1800 Pa	800 Pa
	32 inches (0.81 m)	10.7 inches (0.27 m)	1800 Pa	1200 Pa
	24 inches (0.61 m)	8 inches (0.2 m)	1800 Pa	1800 Pa

CS1K-MS and CS1H-MS

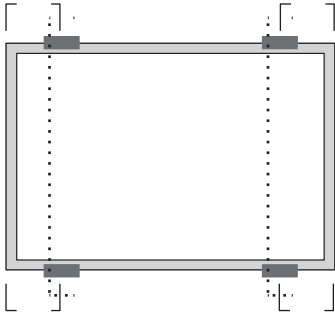
 <p data-bbox="300 674 730 723">Use four clamps on the long side. Mounting rails run perpendicular to the long side frame.</p>
<p data-bbox="300 750 534 853">A1 range = (0 - 239) mm Maximum Load: Uplift load ≤ 2000 Pa Downforce load ≤ 2000 Pa</p>
<p data-bbox="300 909 534 1012">A1 range = (240 - 550) mm Maximum Load: Uplift load ≤ 2400 Pa Downforce load ≤ 2400 Pa</p>
<p data-bbox="300 1111 534 1214">A1 range = (240 - 330) mm Maximum Load: Uplift load ≤ 3600 Pa Downforce load ≤ 5400 Pa</p>



Use six clamps on the long side. Mounting rails run perpendicular to the long side

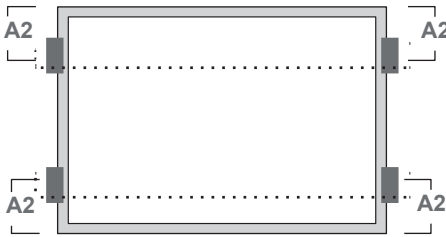
A3 range = (80 -380) mm
A5 range = (80 -380) mm Maximum Load:
Uplift load ≤ 2400 Pa
Downforce load ≤ 5400 Pa
Notice: This method is recommended for better reliability.

CS6A-P, CS6A-M, CS6VL-MS and CS6A-MS



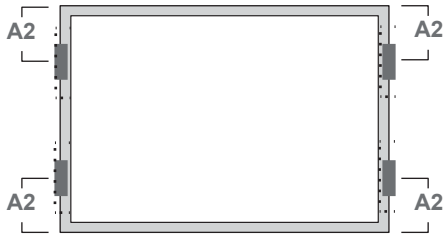
Use four clamps on the long side. Mounting rails run perpendicular to the long side frame.

<p>A1 range = (0 - 219) mm Maximum Load: Uplift load \leq 2000 Pa Downforce load \leq 2000 Pa</p>
<p>A1 range = (220 - 440) mm Maximum Load: Uplift load \leq 2400 Pa Downforce load \leq 2400 Pa</p>
<p>A1 range = (270 - 330) mm Maximum Load: Uplift load \leq 2400 Pa Downforce load \leq 5400 Pa</p>



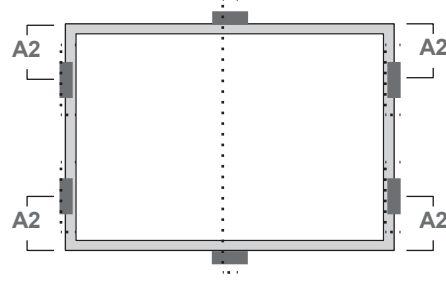
Use four clamps on the short side. Mounting rails run parallel to the long side frame.

A2 range = (200 - 250) mm Maximum Load:
 Uplift load \leq 2400 Pa
 Downforce load \leq 2400 Pa



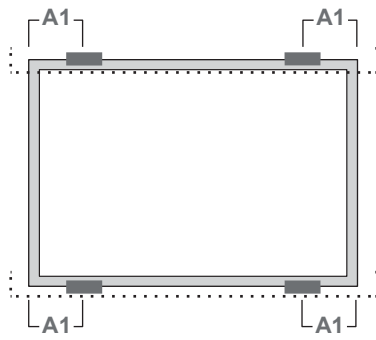
Use four clamps on the short side.

A2 range = (0 - 250) mm Maximum Load:
 Uplift load \leq 2400 Pa
 Downforce load \leq 2400 Pa



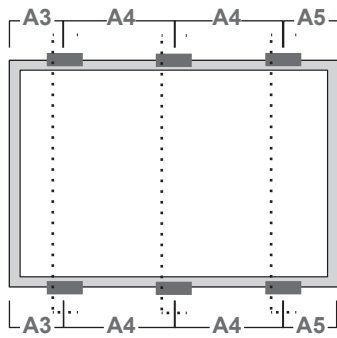
Use four clamps on the short side and two clamps on the long side. An additional support rail is shown.

A2 range = (200 - 250) mm Maximum Load:
 Uplift load \leq 2400 Pa
 Downforce load \leq 5400 Pa



Use four clamps on the long side. Mounting rails run parallel to the long side frame.

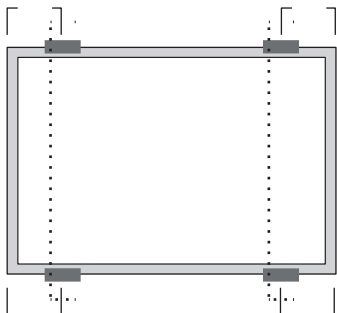
A1 range = (270 - 330) mm Maximum Load:
 Uplift load \leq 2400 Pa
 Downforce load \leq 4000 Pa



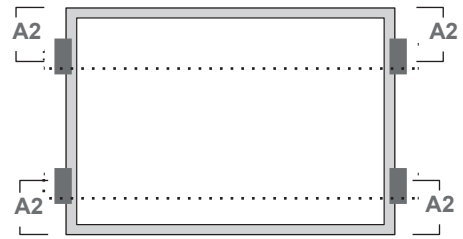
Use six clamps on the long side. Mounting rails run perpendicularly to the long side frame.

A3 range = (80 -380) mm
 A5 range = (80 -380) mm Maximum Load:
 Uplift load \leq 4000 Pa
 Downforce load \leq 6000 Pa

CS6V-P, CS6V-M and CS6V-MS

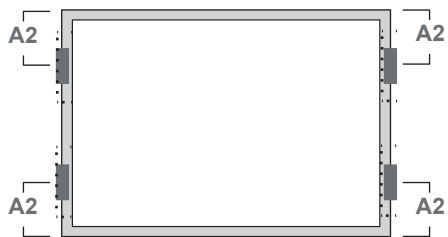


<p>A1 A1</p> <p>A1 A1</p> <p>Use four clamps on the long side. Mounting rails run perpendicularly to the long side frame.</p>
<p>A1 range = (0 - 239) mm Maximum Load: Uplift load ≤ 2000 Pa Downforce load ≤ 2000 Pa</p>
<p>A1 range = (240 - 550) mm Maximum Load: Uplift load ≤ 2400 Pa Downforce load ≤ 2400 Pa</p>
<p>A1 range = (240 - 330) mm Maximum Load: Uplift load ≤ 2400 Pa Downforce load ≤ 5400 Pa</p>



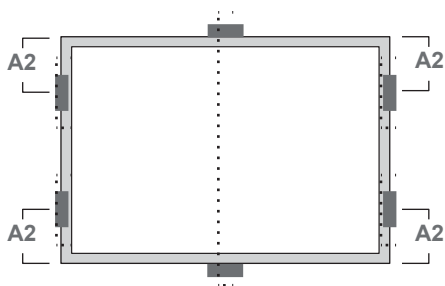
Use four clamps on the short side. Mounting rails run parallel to the long side frame.

A2 range = (170 - 210) mm Maximum Load:
 Uplift load ≤ 2400 Pa
 Downforce load ≤ 2400 Pa



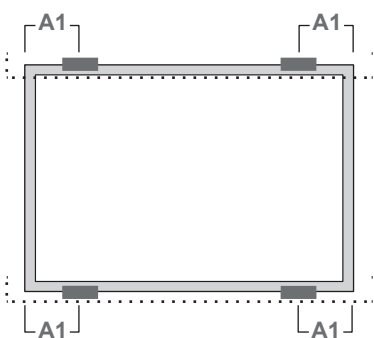
Use four clamps on the short side.

A2 range = (0 - 210) mm Maximum Load:
 Uplift load \leq 2000 Pa
 Downforce load \leq 2000 Pa



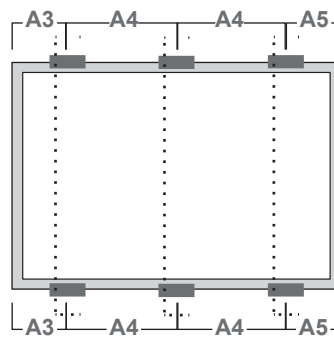
Use four clamps on the short side and two clamps on the long side. An additional support bar should be placed below the center of the module.

A2 range = (170 - 210) mm Maximum Load:
 Uplift load \leq 2400 Pa
 Downforce load \leq 5400 Pa



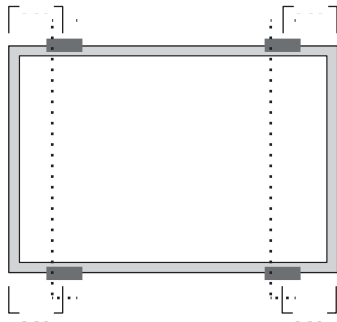
Use four clamps on the long side. Mounting rails run parallel to the long side from the clamps on the long side. Mounting rails run perpendicularly to the long side from the clamps on the short side.

A1 range = (240 - 330) mm Maximum Load:
 Uplift load \leq 2400 Pa
 Downforce load \leq 4000 Pa



A3 range = (80 - 380) mm
 A5 range = (80 - 380) mm Maximum Load:
 Uplift load \leq 4000 Pa
 Downforce load \leq 6000 Pa

CS1V-MS

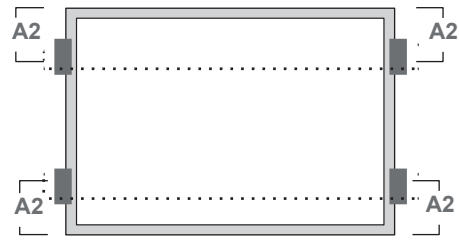


Use four clamps on the long side. Mounting rails run perpendicularly to the long side frame.

A1 range = (0 - 239) mm
 Maximum Load:
 Uplift load ≤ 2000 Pa
 Downforce load ≤ 2000 Pa

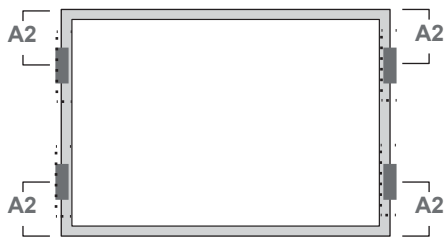
A1 range = (240 - 550) mm
 Maximum Load:
 Uplift load ≤ 2400 Pa
 Downforce load ≤ 2400 Pa

A1 range = (240 - 330) mm
 Maximum Load:
 Uplift load ≤ 2400 Pa
 Downforce load ≤ 5400 Pa



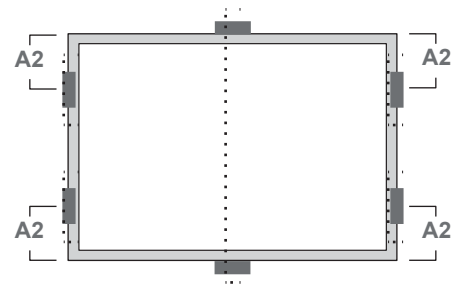
Use four clamps on the short side. Mounting rails run parallel to the long side frame.

A2 range = (170 - 210) mm Maximum Load:
 Uplift load ≤ 2400 Pa
 Downforce load ≤ 2400 Pa



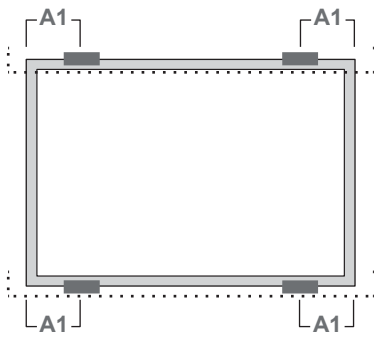
Use four clamps on the short side.

A2 range = (0 - 210) mm Maximum Load:
 Uplift load ≤ 2000 Pa
 Downforce load ≤ 2000 Pa



Use four clamps on the short side and two clamps on the long side. An additional mounting rail is shown on the long side.

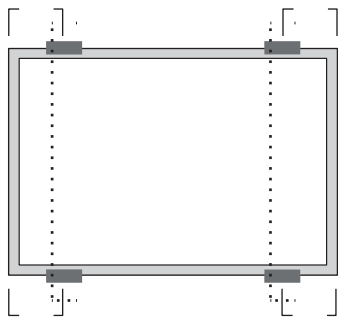
A2 range = (170 - 210) mm Maximum Load:
 Uplift load ≤ 2400 Pa
 Downforce load ≤ 5400 Pa



Use four clamps on the long side. Mounting rails run parallel to the long side frame.

A1 range = (240 - 330) mm Maximum Load:
 Uplift load \leq 2400 Pa
 Downforce load \leq 4000 Pa

CS1VL-MS, CS1A-MS, CS1HA-MS

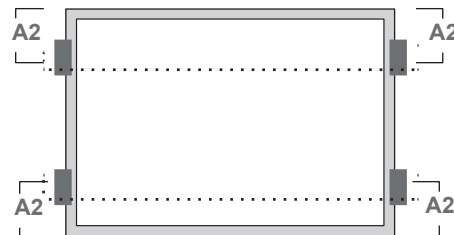


Use four clamps on the long side. Mounting rails run perpendicularly to the long side frame.

A1 range = (0 - 219) mm
 Maximum Load:
 Uplift load \leq 2000 Pa
 Downforce load \leq 2000 Pa

A1 range = (220 - 440) mm
 Maximum Load:
 Uplift load \leq 2400 Pa
 Downforce load \leq 2400 Pa

A1 range = (270 - 330) mm
 Maximum Load:
 Uplift load \leq 2400 Pa
 Downforce load \leq 5400 Pa



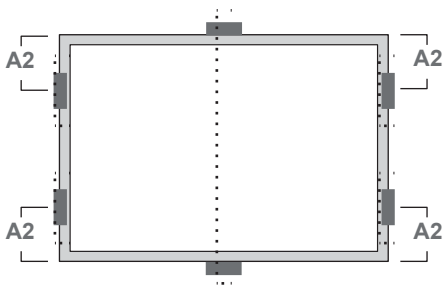
Use four clamps on the short side. Mounting rails run parallel to the long side frame.

A2 range = (200 - 250) mm Maximum Load:
 Uplift load \leq 2400 Pa
 Downforce load \leq 2400 Pa



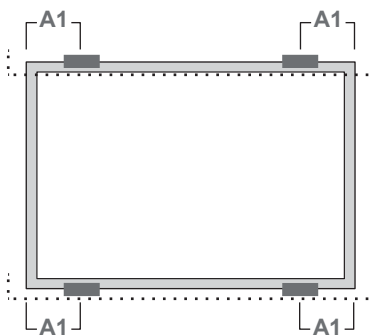
Use four clamps on the short side.

A2 range = (0 - 250) mm Maximum Load:
Uplift load \leq 2400 Pa
Downforce load \leq 2400 Pa



Use four clamps on the short side and two clamps on the long side. An additional support bar should be placed below the center of the module.

A2 range = (200 - 250) mm Maximum Load:
Uplift load \leq 2400 Pa
Downforce load \leq 5400 Pa



Use four clamps on the long side. Mounting rails run parallel to the long side frame.

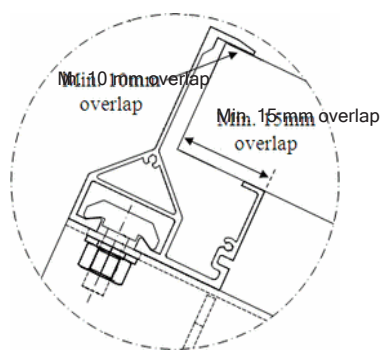
A1 range = (270 - 330) mm Maximum Load:
Uplift load \leq 2400 Pa
Downforce load \leq 4000 Pa

MOUNTING METHOD B: INSERTION SYSTEMS

- The mounting method has been qualified by Canadian Solar Inc. as well as certified by VDE and CSA.
- Insertion methods can vary and depend on the mounting structures. The installer needs to follow the mounting guidelines recommended by the mounting system supplier. Each module must be securely maintained through all its length on two opposite sides. Install and tighten the insertion profiles to the support structure using the hardware and instructions provided by the mounting system manufacturer. The system designer and installer are solely responsible for load calculations and for the proper design of support structure.
- atakale Solar Inc. warranty may be void in cases where improper insertion systems or unsuitable installation methods are found. When installing insertion profiles, please take the following measu-

res into account:

- ① Do not bend the module frame.
- ② Do not touch the front glass or cast shadow onto it.
- ③ Do not damage the surface of the frame.
- ④ Ensure that the insertion profiles overlap the module frame by at least 10 mm (0.39 in).
- ⑤ Ensure that the module frame (C-shape) overlaps the insertion profiles by at least 15 mm (0.59 in).
- ⑥ Ensure insertion profile thickness and tolerances suit module thickness.

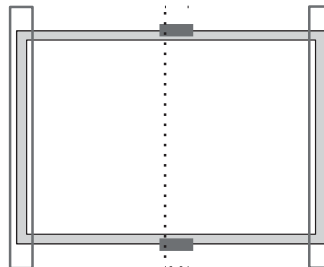


CS3U-P, CS3U-MS, CS6U-P and CS6U-M



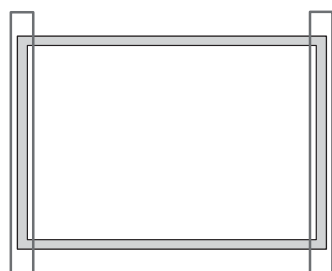
Use two insertion profiles running parallel to the long side frame.

Maximum Load:
Uplift load ≤ 2400 Pa Downforce load ≤ 5400 Pa



Use two insertion profiles running perpendicular to the long side frame. An additional support bar is required.

Maximum Load:
Uplift load ≤ 2400 Pa Downforce load ≤ 5400 Pa

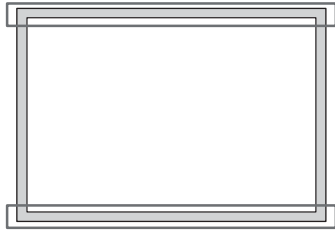


Use two insertion profiles running perpendicular to the long side frame.

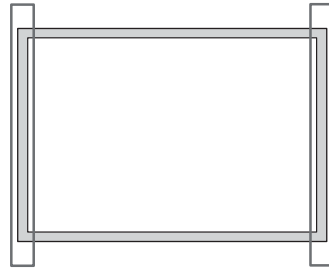
Maximum Load:
Uplift load ≤ 1400 Pa Downforce load ≤ 1400 Pa

CS3K-P, CS3K-MS, CS6K-P, CS6K-M, CS6K-MS, CS6V-P, CS6V-M and CS6V-MS

(Please refer to the separate manual for the KuLite CS3K-P which is a lightweight option for standard CS3K-P only for Japan region)

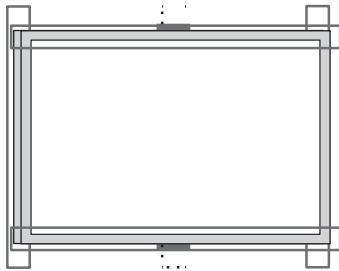


Use two insertion profiles running parallel to the long side frame.
Maximum Load:
Uplift load \leq 2400 Pa Downforce load \leq 4000 Pa

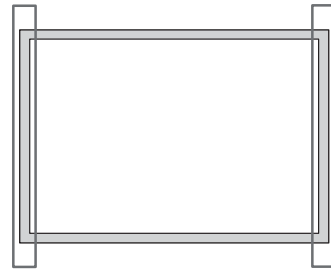


Use two insertion profiles running perpendicularly to the long side frame.
Maximum Load:
Uplift load \leq 2000 Pa Downforce load \leq 2000 Pa

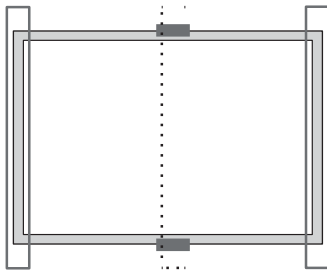
CS6A-P, CS6A-M, CS6VL-MS and CS6A-MS



Use two insertion profiles running parallel to the long side frame. An additional support bar should be placed below the module. Use two clamps on the support bar.
Maximum Load:
Uplift load \leq 2400 Pa Downforce load \leq 4000 Pa
Maximum Load:
Uplift load \leq 2400 Pa Downforce load \leq 5400 Pa



Use two insertion profiles running perpendicularly to the long side frame. An additional support bar should be placed below the module. Use two clamps on the support bar.
Maximum Load:
Uplift load \leq 2400 Pa Downforce load \leq 2400 Pa



Use two insertion profiles running perpendicularly to the long side frame. An additional support bar should be placed below the module. Use two clamps on the support

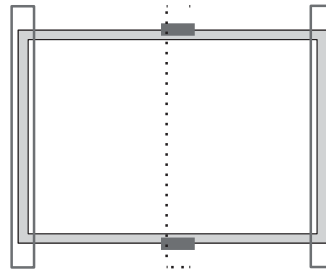
Maximum Load:
Uplift load \leq 2400 Pa Downforce load \leq 5400 Pa

CS1K-MS, CS1H-MS



Use two insertion profiles running parallel to the long side frame.

Maximum Load:
Uplift load \leq 2400 Pa Downforce load \leq 2400 Pa



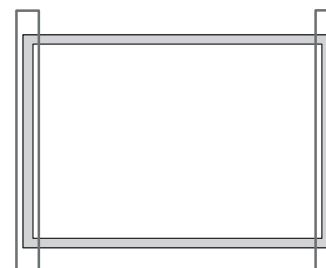
Use two insertion profiles running perpendicularly to the long side frame. An additional support bar should be placed below the module. Use two clamps on the support

Maximum Load:
Uplift load \leq 2400 Pa Downforce load \leq 5400 Pa

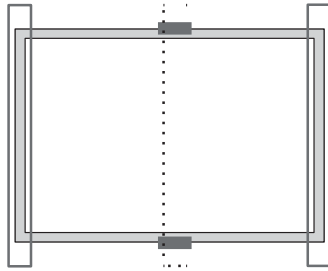
CS1V-MS, CS1VL-MS



Use two insertion profiles running parallel to the long side frame.
Maximum Load:
Uplift load \leq 2400 Pa Downforce load \leq 4000 Pa



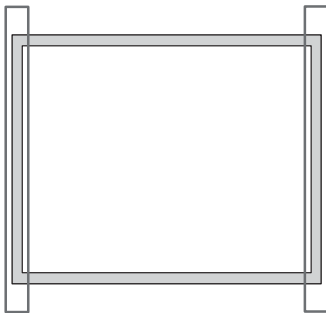
Use two insertion profiles running perpendicularly to the long side frame.
Maximum Load:
Uplift load \leq 2000 Pa Downforce load \leq 2000 Pa



Use two insertion profiles running perpendicularly to the long side frame. An additional support bar should be placed below the module. Use two clamps on the sup

Maximum Load:
Uplift load ≤ 2400 Pa Downforce load ≤ 5400 Pa

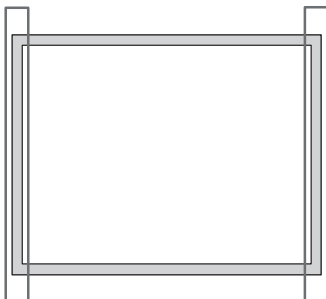
CS3W-P, CS3W-MS



Use two insertion profiles running perpendicularly to the long side frame.

Maximum Load:
Uplift load ≤ 1200 Pa Downforce load ≤ 1200 Pa

CS3L-P, CS3L-MS



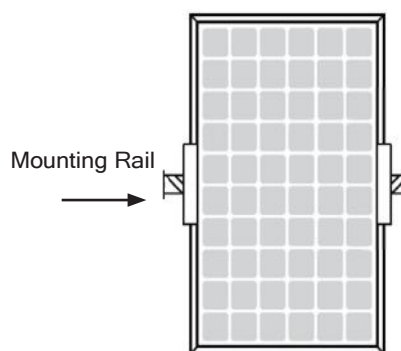
Use two insertion profiles running perpendicularly to the long side frame.

Maximum Load:
Uplift load ≤ 2200 Pa Downforce load ≤ 2200 Pa

MOUNTING METHOD C: MOUNTING METHODS WITH (SINGLE-AXIS TRACKER)

· atakale Solar Inc. modules can be mounted on single-axis trackers using center clamps or mounting holes as described below. All the requirements of the standard module installation manual and specific tracker detailed installation instructions should apply.

· The following tracker manufacturers and types are approved with atakale Solar modules.



Module Type	Compatible Tracker	Mounting Hardware	Maximum Load (Pa)	Reference Manual (Version No.)
CS3U-P, CS3U-MS, CS6U-P, CS6U-M, CS3W-P and CS3W-MS	ATI DuraTrack™HZ Tracking System(V3)	Standard 300 mm clamp 20751 Hi-rise 300 mm clamp 20822	Uplift load ≤ 2400 Pa Downforce load ≤ 2400 Pa	DuraTrack™HZ Solar Tracker Installation Guide (January 2017, Rev. B-01)
CS3U-P, CS3U-MS, CS6U-P and CS6U-M	NEXTracker NX Horizon	V2.4.1 Rails (400 mm mounting holes) + 4x bobtails (head O.D. 13 mm)	Uplift load ≤ 2400 Pa Downforce load ≤ 2400 Pa	NEXTracker NX Horizon 2.4.1 Installation Manual (PDM-000176 Rev. B)
CS3W-P, CS3W-MS	NEXTracker NX Horizon	Uses V2.4.1 rail + 1180 supplemental rail* (400 mm+ 1155 mm mounting holes) + 8x bobtails (head O.D. 16.8 mm)	2200 Pa < Uplift load ≤ 2800 Pa 2200 Pa < Downforce load ≤ 2800 Pa	NEXTracker NX Horizon 2.4.1 Installation Manual (PDM-000176 Rev. B) Note*: Technical Bulletin covering supplemental rail will be given additional to the installation manual on specific project from Nextracker.
		V2.4.1 Rails (400 mm mounting holes) + 4x bobtails (head O.D. 16.8 mm)	1600 Pa < Uplift load ≤ 2200 Pa 1600 Pa < Downforce load ≤ 2200 Pa	
		V2.4.1 Rails (400 mm mounting holes) + 4x bobtails (head O.D. 13 mm)	Uplift load ≤ 1600 Pa Downforce load ≤ 1600 Pa	
CS3U-P	Arcotech single-axis tracker Portrait two rows	3438 mm rail (bolting method / M8 bolt + M8 plain washer (O.D. = 24 mm) / 1155 mm holes position) Rail drawing No: CS2018002	Uplift load ≤ 2400 Pa Downforce load ≤ 2400 Pa	SSMFIM-rev01 (SkySmart-Module Fixing Installation Manual)

CS3W-P, CS3W-MS	Arctech single-axis tracker Portrait two rows	3588 mm rail (bolting method / M8 bolt + M8 plain washer (O.D. = 24 mm) / 1155 mm holes position) Rail drawing No: CS2018007	Uplift load \leq 2400 Pa Downforce load \leq 2400 Pa	SSMFIM-rev01 (SkySmart-Module Fixing Installation Manual)
CS3U-P	Soltec SF7 Sing- le-Axis Tracker	2454 mm rail (Bolting method / M6 bolt + M6 plain washer (O.D.= 18 mm) / 1300 mm + 400 mm holes position) Rail drawing No: SF7-MR-04-101_Dr_P00 SF7-MR-06-102_Dr_P00	Uplift load \leq 1800 Pa Downforce load \leq 1800 Pa	SF7QG-1500V-en, revision 1.0
CS3W-P, CS3W-MS	Soltec SF7 Single-Axis Tracker	2542 mm rail (Bolting method / M6 bolt + M6 plain washer (O.D. = 18 mm) / 1300 mm + 400 mm holes position) Rail drawing No: SF7-MR-04-018_Dr	Uplift load \leq 1200 Pa Downforce load \leq 1200 Pa	SF7QG-1500V-en, revision 1.0
CS3U-P	Soltec SF7 Single-Axis Tracker	long rail (bolting method / M8 bolt + M8 plain washer (O.D. = 24 mm) / 1155 mm holes position)	Uplift load \leq 2400 Pa Downforce load \leq 2400 Pa	SF7QG-1500V-en, revision 1.0
CS3W-P, CS3W-MS	Soltec SF7 Single-Axis Tracker	3297 mm rail (bolting method / M8 bolt + M8 plain washer (O.D. = 24 mm) / 1155 mm holes position) Rail drawing No: SF7-MR-04-017_Dr	Uplift load \leq 2400 Pa Downforce load \leq 2400 Pa	SF7QG-1500V-en, revision 1.0

- The allowable maximum twist angle of the module is 0.5 degree.
- For any single axis tracker installation method with portrait one row, bearing house cannot be allowed to locate in junction box position under CS3W-P, CS3W-MS, CS3U-P and CS3U-MS.
- Please contact the tracker manufacturer and Canadian Solar Inc.'s technical support department for details in regard to specific projects.

ANNEX B: ALTERNATIVE GROUNDING METHODS

ata kale Solar modules can be grounded using third party grounding devices as described be- low. The grounding methods are certified by CSA according to UL 1703. All the basic requirements of the main installation manual should apply to the

alternative grounding methods. For detailed ground- ing instructions, please refer to related third party installation manuals.

Company	Grounding hardware	Compatible Mounting System	Reference Manual (Version No.)
Variety	Lay-in-Lug + Star Washer (UL 2703 & UL 467 certified)	Variety	Related reference installation manual
Schletter GmbH	Schletter Rapid2+ Grounding Clamps	Schletter Rapid2+	Schletter Rapid2+ Clamp installation instructions
Array Technologies Inc.	Grounding Strip	ATI Duratrack HZ Solar Tracker (V3)	DuraTrack™HZ Solar Tracker Installation Guide (January 2017, Rev. B-01)
IronRidge Inc.	grounding mid clamps (integrated grounding)	standard (XRS) and light (XRL) rails	Standard (XRS) and Light (XRL) Rails with Integrated Grounding Installation Manual (2013 Edition v1.13)
DYNORAXX Inc.	DynoRaxx® DynoBond spring clips	-----	DynoRaxx® DynoBond Installation Manual (publication no 090413)
RBI Solar Inc.	Raised Zee purlin integrated with pre-punched grounding holes	RBI Solar Ground Mount System Model GM-I	Ground Mount System Model GM-I Module Installation Manual (14 April 2014, version 21)
Quick Rack PV Inc.	Clamp integrated with grounding pins	Quick Rack Rail-Free Mounting System	Quick Rack Rail-Free Mounting System for Composition/Asphalt Shingle Roofs Installation Manual (May 2014, Rev F)
Cantsink Mfg Inc.	1/4" serrated flange bolt & serrated flange nut	Brilliant Rack Ground Mount System	Brilliant Rack Ground Mount System Installation Manual (Revision 12/05/2014)
Everest Solar Systems, LLC	WEEB-KMC Clips	Crossrail 36, Crossrail 48 And Crossrail 80 Mounting Systems	WEEB Installation Instructions For Everest Solar Crossrail 36, Crossrail 48 And Crossrail 80 Mounting Systems Only (50015303 Rev H)
Unirac Inc.	Mid clamp retention teeth	SOLAR MOUNT (SM)	Solar Mount Installation Guide (Revision PUB15MAR02)
Sunlink Inc.	Center Clamps & End Clamps with pre-punched teeth	Ballasted Ground Mount System and Core Roof Mount System	Assembly Instructions for Core RMS (Rev 03-14-2014) and Assembly Instructions for Ballasted GMS (Rev 02/02/2014)
Roof Tech Inc.	Bonding Plate	RT-[E] Mount E Mount AIR	RT-[E] Mount E Mount AIR Installation Manual (March 2015)
NEXTracker Inc.	1/4-in collar and 1/4-in pin	NX Horizon 2.2.1	NEXTracker NX Horizon 2.2.1 Short Rail Installation Manual (PDM-000103 Rev.)
BURNDY LLC.	WEEB-UIR	RBI Solar Ground-mount	WEEB Installation Instructions For RBI Solar Groundmount Only (104-0404-000074-003)

ANNEX C: MECHANICAL AND ELECTRICAL RATINGS

Standard Test Conditions are: Irradiance of 1000 W/m², AM1.5 spectrum, and cell temperature of 25°C. The electrical characteristics are respectively within

±10% or [0; +5 W] of the indicated values for Isc, Voc and Pmax. Specifications are subject to change without notice.

Table C: Mechanical And Electrical Ratings under STC

Maximum Power Pmax <W>	Operating voltage Vmp <V>	Operating current Imp <A>	Open Circuit Voltage Voc <V>	Short Circuit Current Isc <A>	Max. Series Fuse Rating <A>	Overall Dimension <mm>	Weight <kg>
195	24.2	8.04	29.9	8.56	15.00	1324 x 984 x 40 (52.1 x 38.7 x 1.57 in)	15.5 (34.2 lbs)
200	24.3	8.22	30.0	8.74	15.00		
205	24.5	8.38	30.2	8.90	15.00		
210	24.6	8.54	30.3	9.06	15.00		
215	24.7	8.70	30.4	9.22	15.00		
220	24.8	8.87	30.6	9.31	15.00		
205	24.5	8.37	30.6	9.21	15.00		
210	24.7	8.50	30.8	9.29	15.00		
215	24.9	8.63	31.0	9.37	15.00		
220	25.1	8.76	31.2	9.45	15.00		
225	25.3	8.91	31.4	9.53	15.00		
230	25.5	9.02	31.6	9.61	15.00		
235	25.7	9.14	31.8	9.68	15.00		
240	25.9	9.27	32.0	9.76	15.00		
245	26.1	9.39	32.2	9.84	15.00		
195	24.0	8.13	29.6	8.69	15.00	1324 x 984 x 40 (52.1 x 38.7 x 1.57 in)	15.5 (34.2 lbs)
200	24.1	8.30	29.8	8.87	15.00		
205	24.2	8.47	29.9	9.03	15.00		
210	24.3	8.63	30.0	9.19	15.00		
215	24.5	8.78	30.2	9.35	15.00		
220	24.6	8.95	30.4	9.45	15.00	1638 x 826 x 40 (64.5 x 32.5 x 1.57 in)	16.0 (35.3 lbs)
200	25.2	7.95	31.1	8.46	15.00		
205	25.3	8.11	31.2	8.63	15.00		
210	25.4	8.27	31.3	8.79	15.00		
215	25.5	8.43	31.5	8.94	15.00		
220	25.7	8.56	31.6	9.08	15.00		
225	26.0	8.67	31.8	9.19	15.00		
230	26.1	8.81	31.9	9.33	15.00		
235	26.4	8.91	32.1	9.45	15.00		
240	26.7	9.00	32.2	9.55	15.00		
245	27.0	9.09	32.4	9.66	15.00		
210	25.4	8.27	31.5	9.19	15.00		
215	25.6	8.40	31.7	9.27	15.00		
220	25.8	8.53	31.9	9.35	15.00		
225	26.0	8.66	32.1	9.43	15.00		
230	26.2	8.78	32.3	9.51	15.00		
235	26.4	8.91	32.5	9.59	15.00		
240	26.6	9.03	32.7	9.67	15.00		
245	26.8	9.15	32.9	9.75	15.00		
250	27.0	9.26	33.1	9.83	15.00		

Maximum Power Pmax <W>	Operating voltage Vmp <V>	Operating current Imp <A>	Open Circuit Voltage Voc <V>	Short Circuit Current Isc <A>	Max. Series Fuse Rating <A>	Overall Dimension <mm>	Weight <kg>
255	27.2	9.38	33.3	9.91	15.00		
115	13.1	8.78	16.2	9.59	15.00	844 × 826 × 40 (33.2 × 32.5 × 1.57 in)	9.0 (19.8 lbs)
120	13.3	9.03	16.4	9.67	15.00		
125	13.5	9.26	16.6	9.75	15.00		
150	19.5	7.7	24.6	9.11	15.00		
155	19.7	7.87	24.8	9.19	15.00	1322 × 826 × 40 (52.05 × 32.5 × 1.57 in)	12.6 (27.8 lbs)
160	19.9	8.05	25	9.27	15.00		
165	20.1	8.21	25.2	9.35	15.00		
170	20.3	8.38	25.4	9.43	15.00		
175	20.5	8.54	25.6	9.51	15.00		
180	20.7	8.7	25.8	9.59	15.00		
185	20.9	8.86	26	9.67	15.00		
190	21.1	9.01	26.2	9.75	15.00		
195	21.3	9.16	26.4	9.83	15.00		
200	21.5	9.31	26.6	9.91	15.00		
205	21.7	9.45	26.8	9.99	15.00		
210	21.9	9.59	27.6	10.17	15.00	1638 × 826 × 40 (64.5 × 32.5 × 1.57 in)	16.0 (35.3 lbs)
190	24.6	7.73	30.6	8.28	15.00		
195	24.8	7.87	30.7	8.44	15.00		
200	24.9	8.03	30.8	8.59	15.00		
205	25.0	8.19	30.9	8.76	15.00		
210	25.1	8.35	31.1	8.92	15.00		
215	25.3	8.51	31.2	9.07	15.00		
220	25.5	8.64	31.4	9.21	15.00		
225	25.7	8.75	31.6	9.32	15.00		
230	25.9	8.90	31.7	9.47	15.00		
235	26.1	8.99	31.8	9.58	15.00	1650 × 992 × 40 / 35 (65.0 × 39.1 × 1.57 / 1.38 in)	18.2 (40.1 lbs)
240	29.9	8.03	37.0	8.59	15.00		
245	30.0	8.17	37.1	8.74	15.00		
250	30.1	8.30	37.2	8.87	15.00		
255	30.2	8.43	37.4	9.00	15.00		
260	30.4	8.56	37.5	9.12	15.00		
265	30.6	8.66	37.7	9.23	15.00		
270	30.8	8.75	37.9	9.32	15.00		
275	31.0	8.88	38.0	9.45	15.00		
280	31.3	8.95	38.2	9.52	15.00		
285	31.4	9.06	38.3	9.64	15.00		
290	31.6	9.18	38.5	9.72	15.00		
295	31.8	9.28	38.6	9.81	15.00		
300	32.0	9.38	38.8	9.92	15.00		
305	32.1	9.50	38.9	10.03	15.00		
310	32.3	9.60	39.8	10.22	15.00		
315	32.5	9.70	40.0	10.32	15.00		
320	32.7	9.79	40.2	10.41	15.00		
325	32.9	9.88	40.4	10.50	15.00		
330	33.1	9.97	40.6	10.59	15.00		
335	33.3	10.07	40.8	10.69	15.00		

Maximum Power Pmax <W>	Operating voltage Vmp <V>	Operating current Imp <A>	Open Circuit Voltage Voc <V>	Short Circuit Current Isc <A>	Max. Series Fuse Rating <A>	Overall Dimension <mm>	Weight <kg>		
250	30.4	8.22	37.5	8.74	15	1650 x 992 x 40 / 35 (65.0 x 39.1 x 1.57 / 1.38 in)	18.2 (40.1 lbs)		
255	30.5	8.35	37.7	8.87	15				
260	30.7	8.48	37.8	8.99	15				
265	30.9	8.61	37.9	9.11	15				
270	31.1	8.67	38.2	9.19	15				
275	31.3	8.80	38.3	9.31	15				
280	31.5	8.89	38.5	9.43	15				
285	31.7	8.98	38.6	9.51	15				
290	31.9	9.09	38.7	9.59	15				
255	30.7	8.31	37.9	9.11	15				
260	30.9	8.42	38.1	9.19	15				
265	31.1	8.53	38.3	9.27	15				
270	31.3	8.63	38.5	9.35	15				
275	31.5	8.74	38.7	9.43	15				
280	31.7	8.84	38.9	9.51	15				
285	31.9	8.94	39.1	9.59	15				
290	32.1	9.05	39.3	9.67	15				
295	32.3	9.14	39.5	9.75	15				
300	32.5	9.24	39.7	9.83	15				
305	32.7	9.33	39.9	9.91	15				
310	32.9	9.43	40.1	9.99	15				
315	33.1	9.52	40.3	10.07	15				
320	33.3	9.61	41.3	10.18	15				
325	33.5	9.71	41.5	10.28	15				
330	33.7	9.80	41.7	10.37	15				
335	33.9	9.89	41.9	10.46	15				
290	35.9	8.08	44.4	8.64	15			1960 x 992 x 40 / 35 (77.2 x 39.1 x 1.57 / 1.38 in)	22.4 (49.4 lbs)
295	36.0	8.19	44.5	8.76	15				
300	36.1	8.30	44.6	8.87	15				
305	36.3	8.41	44.8	8.97	15				
310	36.4	8.52	44.9	9.08	15				
315	36.6	8.61	45.1	9.18	15				
320	36.8	8.69	45.3	9.26	15				
325	37.0	8.78	45.5	9.34	15				
330	37.2	8.88	45.6	9.45	15				
335	37.4	8.96	45.8	9.54	15				
340	37.6	9.05	45.9	9.62	15				
345	37.8	9.13	46.0	9.69	15				
350	38.1	9.21	46.2	9.79	15				
355	38.2	9.30	46.4	9.84	15				
360	38.3	9.40	47.0	10.04	15				
365	38.5	9.49	47.2	10.13	15				
370	38.7	9.57	47.4	10.21	15				
375	38.9	9.65	47.6	10.29	15				
380	39.1	9.72	47.8	10.36	15				
385	39.3	9.80	48.0	10.44	15				
390	39.5	9.88	48.2	10.52	15				
395	39.7	9.95	48.4	10.59	15				
400	39.9	10.03	48.6	10.67	15				
405	40.1	10.10	48.8	10.74	15				

Maximum Power Pmax <W>	Operating voltage Vmp <V>	Operating current Imp <A>	Open Circuit Voltage Voc <V>	Short Circuit Current Isc <A>	Max. Series Fuse Rating <A>	Overall Dimension <mm>	Weight <kg>
290	36.3	8.00	44.7	8.51	15	1960 × 992 × 40 / 35 (77.2 × 39.1 × 1.57 / 1.38 in)	22.4 (49.4 lbs)
295	36.4	8.11	44.9	8.63	15		
300	36.5	8.22	45	8.74	15		
305	36.6	8.33	45.2	8.84	15		
310	36.7	8.44	45.3	8.95	15		
315	36.9	8.53	45.5	9.04	15		
320	37.2	8.61	45.6	9.13	15		
325	37.4	8.69	45.8	9.21	15		
330	37.5	8.8	45.9	9.31	15		
335	37.8	8.87	46.1	9.41	15		
340	37.9	8.97	46.2	9.48	15		
345	38.1	9.06	46.4	9.56	15		
350	38.3	9.14	46.6	9.67	15		
350	38.8	9.03	46.6	9.53	30	2000 × 992 × 40 / 35 (78.7 × 39.1 × 1.57 / 1.38 in)	22.6 / 22.5 (49.8 / 49.6 lbs)
355	39	9.11	46.8	9.61	30		
360	39.2	9.19	47	9.69	30		
365	39.4	9.27	47.2	9.77	30		
370	39.6	9.35	47.4	9.85	30		
375	39.8	9.43	47.6	9.93	30		
380	40	9.5	47.8	10.01	30		
385	40.2	9.58	48	10.09	30		
390	40.4	9.66	48.2	10.17	30		
395	40.6	9.73	48.4	10.25	30		
400	40.8	9.81	48.6	10.33	30		
405	41.0	9.88	49.3	10.44	30		
410	41.2	9.96	49.5	10.52	30		
310	37.2	8.34	44.7	8.88	30	2000 × 992 × 40 / 35 (78.7 × 39.1 × 1.57 / 1.38 in)	22.6 / 22.5 (49.8 / 49.6 lbs)
315	37.4	8.43	44.9	8.96	30		
320	37.6	8.52	45.1	9.04	30		
325	37.8	8.6	45.3	9.12	30		
330	38	8.69	45.5	9.2	30		
335	38.2	8.77	45.7	9.28	30		
340	38.4	8.86	45.9	9.36	30		
345	38.6	8.94	46.1	9.44	30		
350	39.2	8.94	46.6	9.51	30		
355	39.4	9.02	46.8	9.59	30		
360	39.6	9.10	47.0	9.67	30		
365	39.8	9.18	47.2	9.75	30		
370	40.0	9.26	47.4	9.83	30		
375	40.2	9.34	47.6	9.91	30		
380	40.4	9.42	47.8	9.99	30		
385	40.6	9.50	48.0	10.07	30		
390	40.8	9.56	48.6	10.17	30		
395	41.0	9.64	48.8	10.24	30		
400	41.2	9.71	49.0	10.30	30		
405	41.4	9.79	49.2	10.37	30		
410	41.6	9.86	49.4	10.43	30		
415	41.8	9.93	49.6	10.49	30		
420	42.0	10.00	49.8	10.55	30		

Maximum Power Pmax <W>	Operating voltage Vmp <V>	Operating current Imp <A>	Open Circuit Voltage Voc <V>	Short Circuit Current Isc <A>	Max. Series Fuse Rating <A>	Overall Dimension <mm>	Weight <kg>
280	31.7	8.84	38.5	9.49	30	1675 x 992 x 40 / 35 (65.9 x 39.1 x 1.57 / 1.38 in)	18.5 (40.8 lbs)
285	31.9	8.94	38.7	9.57	30		
290	32.1	9.04	38.9	9.65	30		
295	32.3	9.14	39.1	9.73	30		
300	32.5	9.24	39.3	9.82	30		
305	32.7	9.33	39.5	9.9	30		
310	32.9	9.43	39.7	9.98	30		
315	33.1	9.52	39.9	10.06	30		
320	33.3	9.61	40.1	10.14	30		
325	33.5	9.71	40.3	10.22	30		
330	33.7	9.8	40.5	10.3	30		
250	30	8.34	36.7	8.98	30		
255	30.2	8.45	36.9	9.06	30		
260	30.4	8.56	37.1	9.14	30		
265	30.6	8.66	37.3	9.22	30		
270	30.8	8.77	37.5	9.3	30		
275	31	8.88	37.7	9.38	30		
280	31.2	8.98	37.9	9.47	30		
285	31.4	9.08	38.1	9.56	30		
290	32.3	8.98	38.9	9.49	30		
295	32.5	9.08	39.1	9.57	30		
300	32.7	9.18	39.3	9.65	30		
305	32.9	9.28	39.5	9.73	30		
310	33.1	9.37	39.7	9.81	30		
315	33.3	9.46	39.9	9.89	30		
320	33.5	9.56	40.1	9.97	30		
325	33.7	9.65	40.9	10.21	30		
330	33.9	9.74	41.1	10.29	30		
335	34.1	9.83	41.3	10.37	30		
340	34.3	9.92	41.5	10.45	30		
345	34.5	10.00	41.7	10.52	30		
350	34.7	10.09	41.9	10.60	30		
240	28.3	8.48	34.7	9.15	15	1638x826x40 (64.5 x 32.5 x 1.57 in)	15.4 (34.0 lbs)
245	28.6	8.58	34.9	9.22	15		
250	28.8	8.68	35.1	9.29	15s		
255	29.0	8.79	35.3	9.37	15		
260	29.2	8.89	35.5	9.44	15		
265	29.4	9.00	35.7	9.51	15		
270	29.6	9.11	35.9	9.59	15		
275	29.8	9.22	36.1	9.66	15		
280	30.0	9.33	36.3	9.74	15		
285	30.2	9.44	36.5	9.82	15		
190	22.5	8.45	27.6	9.10	15	1322x826x35 (52.05 x 32.5 x 1.38 in)	12.6 (27.8 lbs)
195	22.7	8.58	27.8	9.22	15		
200	22.9	8.73	28.0	9.34	15		
205	23.1	8.88	28.2	9.46	15		
210	23.3	9.01	28.4	9.58	15		
215	23.5	9.15	28.6	9.70	15		
220	23.7	9.28	28.8	9.82	15		
225	23.9	9.41	29.0	9.97	15		

· The recommended maximum series fuse rating is stated in table C above.

ANNEX D: MODULE CLEANING GUIDELINE

This manual covers requirements for the cleaning procedure of atakale Solar Inc. photovoltaic modules. The purpose of these cleaning guidelines is to provide general information for cleaning atakale Solar modules. Professional installers should read these guidelines carefully and strictly follow these instructions.

Failure to follow these instructions may result in death, injury or property damage to the photovoltaic module. Damages induced by inappropriate cleaning procedures will void atakale Solar Inc. warranty.



SAFETY WARNING

- Cleaning activities create risk of damaging the modules and array components, as well as increasing the potential electric shock hazard.
- Cracked or broken modules represent an electric shock hazard due to leakage currents, and the risk of shock is increased when modules are wet. Before cleaning, thoroughly inspect modules for cracks, damage, and loose connections.
- The voltage and current present in an array during daylight hours are sufficient to cause a lethal electrical shock.
- **Do not** immerse the module, partially or totally, in water or any other cleaning solution.
- Ensure that the circuit is disconnected before starting the cleaning procedure as contact with leakage of electrically active parts can result in injury.
- Ensure that the array has been disconnected from other active components (such as inverter or combiner boxes) before starting with the cleaning.
- Wear suitable protection (clothes, insulated gloves, etc.).
- **Do not** use abrasive or electric cleaners on the module.
- Particular attention should be taken to avoid the module backsheet or frame to come in contact with sharp objects, as scratches may directly affect product safety.
- **Do not** use abrasive cleaners, de-greasers or any unauthorized chemical substance (e.g. oil, lubricant, pesticide, etc.) on the module.
- **Do not** use cleaning corrosive solutions containing hydrofluoric acid, alkali, acetone, or industrial alcohol. Only substances explicitly approved by atakale Solar are allowed to be used for cleaning modules.
- atakale Solar Inc. recommends to avoid rotating brush cleaning methods, as they could create micro-cracks in the PV modules.
- Dirt must never be scraped or rubbed away when dry, as this will cause micro-scratches on the glass surface.

OPERATION PREPARATION

- Noticeable dirt must be rubbed away by gentle cleaning-implement (soft cloth, sponge or brush with soft bristles).
- Ensure that brushes or agitating tools are not abrasive to glass, EPDM, silicone, aluminum, or steel.
- Conduct the cleaning activities avoiding the hottest hours of the day, in order to avoid thermal stress on the module.

We recommend the following to be used:

- Water with low mineral content
- Near neutral pH water
- The maximum water pressure recommended is 4 MPa (40 bar)

HANDLING NOTICE

- Use a proper cleaning solution and suitable cleaning equipment.

CLEANING METHODS

Method A: Compressed Air

atakale Solar Inc. recommends cleaning the soft dirt (like dust) on modules just with compressed air. This technique can be applied as long as the method is efficient enough considering the existing conditions.

Method B: Wet cleaning

If excessive soiling is present on the module surface, a non-conductive brush, sponge, or other mild agitating method may be used with caution.

- Ensure that any brushes or agitating tools are constructed with non-conductive materials to minimize risk of electric shock and that they are not abrasive to the glass or the aluminum frame.
- If grease is present, an environmentally friendly cleaning agent may be used with caution.

ATAKALE Camlica Mah 147C 4/I TURKEY +90 312 425 2200

www.atakale.com