

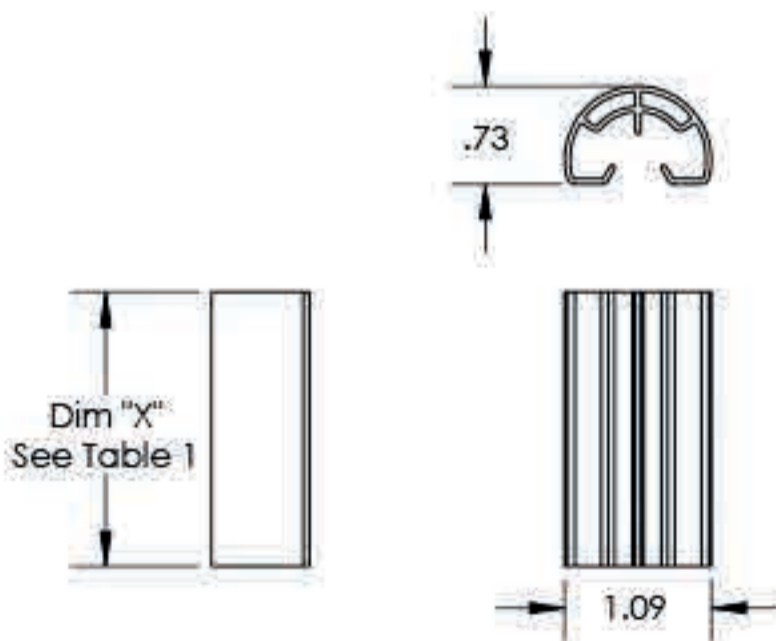
Stopper Sleeve



ITEM NO.	COMPONENT	QTY. IN KIT
1	STOPPER SLEEVE	4

TABLE 1: STOPPER SLEEVE PART NUMBES AND HEIGHT

MILL PART NUMBER	BLACK PART NUMBER	HEIGHT "X" (mm)
UFO-STP-30 mm	UFO-STP-30 mm-B	30
UFO-STP-32 mm	UFO-STP-32 mm-B	32
UFO-STP-33 mm	UFO-STP-33 mm-B	33
UFO-STP-35 mm	UFO-STP-35 mm-B	35
UFO-STP-38 mm	UFO-STP-38 mm-B	38
UFO-STP-40 mm	UFO-STP-40 mm-B	40
UFO-STP-42 mm	UFO-STP-42 mm-B	42
UFO-STP-46 mm	UFO-STP-46 mm-B	46



Property	Value
Material	6000 Series Aluminum
Finish	Mill or Black