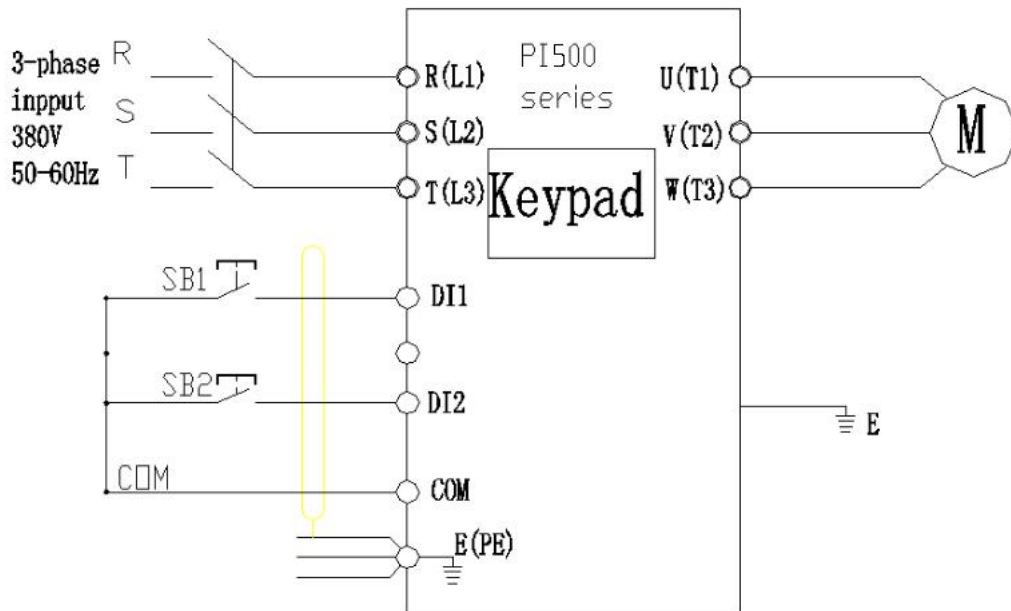
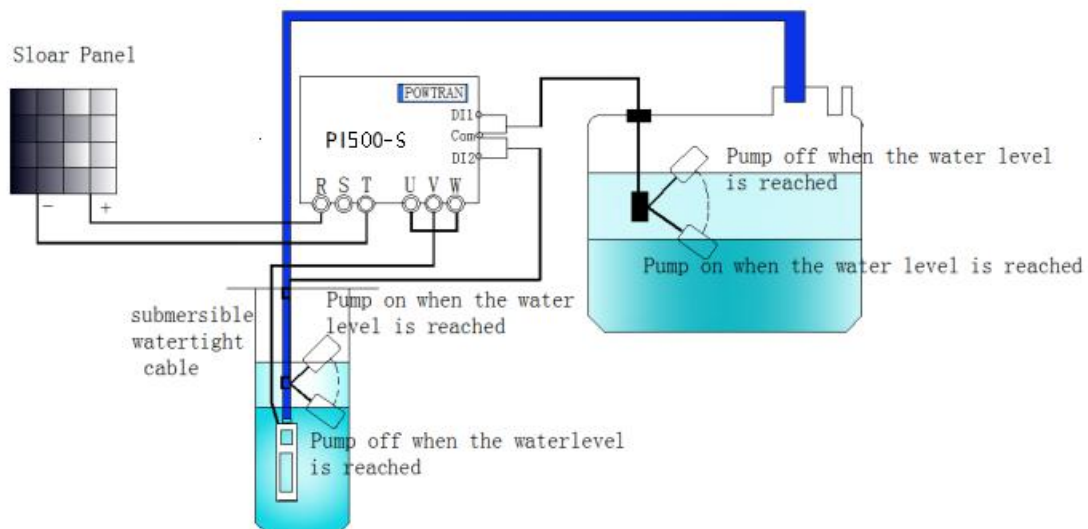


Powtran solar inverter work with water tank

1. Wiring diagram:



2. Simulated diagram



3. Parameter setting:

F0.11=4 Terminal control mode

F1.00=1 DI1 used for FWD

F1.01=10 DI2 used for Stop

F1.35=00000 High level active

The inverter will run after water level switch short DI1 with COM .

It will stop after DI1 and COM is open.

The inverter also be controlled by DI2 terminal.

When DI2 short with COM,the inverter will stop.

